

**COBB** **E**  
811  
*Sport*



**INSTRUCTION MANUAL**  
& REFERENCE GUIDE



The Serpent S811-B Cobra *Sport* is the best entry in the world of rc offroad racing. Affordable and very good basis to start your racing career. The Serpent S811 Cobra *Sport*, is based on the high-end competition version of the Cobra and shares geometry and many parts. Still its easy to use, assemble, and set up. The *Sport* Cobra is also fully upgradable to high end competition spec. The details can be found in our website. You are now part of the worldwide network of Serpent drivers, which gives you superior technical support and access to many benefits that only Serpent drivers can enjoy.

The Serpent S811-B Cobra *Sport* offers state of the art specifications and leads the way in 1/8 scale gas offroad chassis design, using all the knowledge our designers have gathered from racing offroad cars for over 15 years, into this design too. Continuously pushing the performance envelope. Designed, tested and raced by Billy Easton, USA. World Champion.

## INSTRUCTIONS

This instruction manual has been divided into sections that will logically lead you through the assembly process of your Serpent S811-B Cobra *Sport*. Follow the assembly steps in the order presented to ensure that no problems occur during assembly. Each step indicates all the fasteners, bearings and small parts used. Bag numbers identify the kit bag(s) that contains the appropriate parts.

The printed instruction manual included with your Serpent S811-B Cobra *Sport* kit is very complete, though due to continuous product development, more up-to-date information may be provided at our **Serpent.com** website.

All information about the Serpent S811-B Cobra *Sport* is accessible from the Serpent S811-B Cobra *Sport* product page which can be found on **Serpent.com** and can be accessed by simply typing **serpent.com/600002** into your web browsers address bar.

From the Serpent S811-B Cobra *Sport* product page you will find the very latest information about your Serpent S811-B Cobra *Sport*: reports by team drivers and other experts, tips and tricks, setups, image gallery and downloadable files including the latest version of the instruction manual will be made available as downloadable PDF-files.

*Team Serpent*



## Safety

Read and take note of the 'Read this First section' before proceeding to assemble the car-kit. This car-kit is intended for persons aged 16 or older.

## Customer service

Serpent has made a strong effort to make this manual as complete and clear as possible. Additional info may be published in our website:

[www.serpent.com](http://www.serpent.com) or you may ask your dealer or the Serpent distributor for advice, or email Serpent direct: [info@serpent.com](mailto:info@serpent.com)  
The Serpent Facebook, Twitter and Youtube pages give additional means of support and communications.

## Instructions, how to use

The kit includes bags, with bag numbers, which refer to the same step in the manual. Open only the indicated bag(s) per step and finish that part of the assembly. Remaining parts will be needed later on in the assembly process.

## Instructions

Serpent's long tradition of excellence extends to the instruction manuals, and this instruction manual is no exception. The easy-to-follow layout is richly illustrated with 3D-rendered full-color images to make your building experience quick and easy. Following the instructions will result in a well-built, high-performance race-car that will soon be able to unleash its full potential at the racetrack.

## SETUP

In certain assembly steps you need to make basic adjustments, which will give you a good initial setup for your Serpent S811-S. Fine-tuning the initial setup is an essential part of building a high-performance racecar like your S811-S.

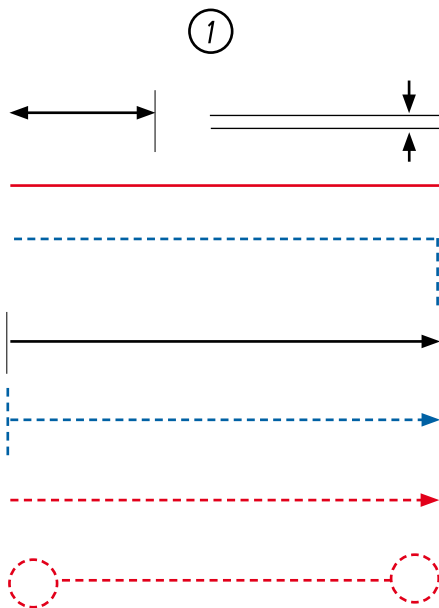
## Exploded views and partslist

The exploded views and parts lists for the Serpent S811-S are presented in the Reference Guide section in the back of this manual. The exploded views show all the parts of a particular assembly step along with the Serpent part number. The parts lists indicate the part number and name of each part for easy reference when ordering.

## Read this first!

- This is a highly technical hobby product, intended to be used in a safe racing environment. This car is capable of speeds in excess of 80 km/h or 50mph. Please follow these guidelines when building and operating this model.
- Parental guidance is required when the builder/user of this car is under 16.
- Follow the building instructions. If in doubt, contact your dealer or importer.
- Be sure to use the proper tools when assembling the car. Always exercise caution when using electric tools, knives and other sharp objects.
- Be careful when using liquids like lubrication oil, fuel or glue. Do not swallow.
- Follow the manufacturer's instruction in case you experience irritation after using the product.
- Be careful when operating the car. Stay away from any rotating parts such as wheels, gears and transmission. Stay away from motor, engine and exhaust pipe system or speedo during and immediately after use, as these parts may be very hot. We advise to use protective hand gloves.
- Only operate this car in a safe environment, like a special racing track or a closed parking lot. Avoid using this car on public roads, crowded places or near infants.
- Before operating this car, always check the mechanical status of the car. Also check that the transmitter and receiver frequencies correspond and are not used by any other racer at the same time. Check that the batteries of the transmitter and receiver- are fully charged.
- After use, always check all the mechanics of the car. We advise to clean the car immediately after use, and inspect the parts for wear or fractures. Replace when necessary. Do not use water, methanol, thinner or other solvents to clean the car.
- Empty the fuel tank (depending on model) if needed and disconnect the receiver battery.
- Store the car in a dry and heated place to avoid corrosion of metal parts.
- Avoid using this car in wet conditions as the water will cause corrosion on the metal parts and bearings and these parts will cease to function properly. If driven in the wet, ensure that all the electric equipment is waterproofed and after use, that all moving parts are dried immediately.

## USING THE MANUAL



Step number;  
the order in which you should assemble the indicated parts

Length after assembly / Gap between two items

Assembly path of one item into another

Group of items (within lines) should be assembled first

Direction the item should be moved

Glue one item to another

Press/Insert one item into another

Connect one item to another



Apply transmission grease (Grey)  
included



CA Glue\* (Red)  
NOT included



Threadlock\* (Blue)  
NOT included



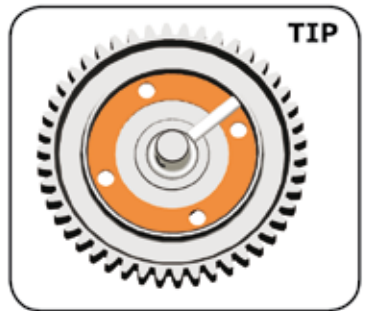
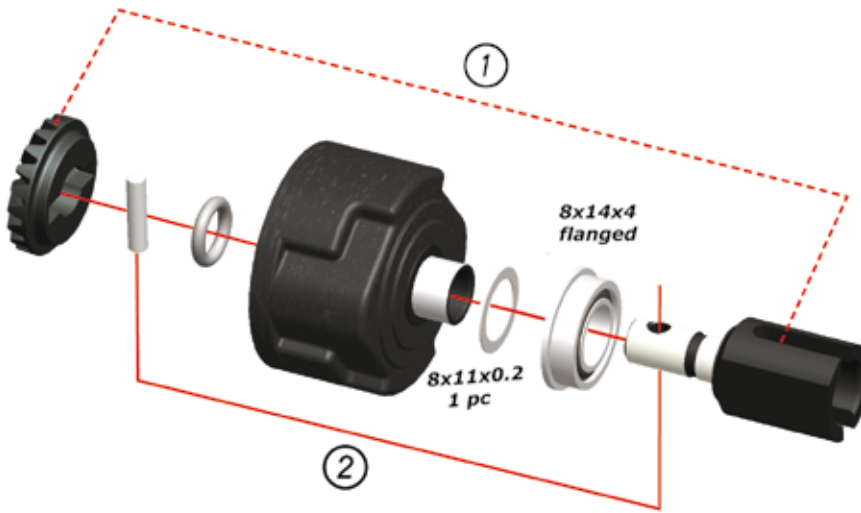
Apply silicone oil  
included

A

# DIFFERENTIAL CENTER

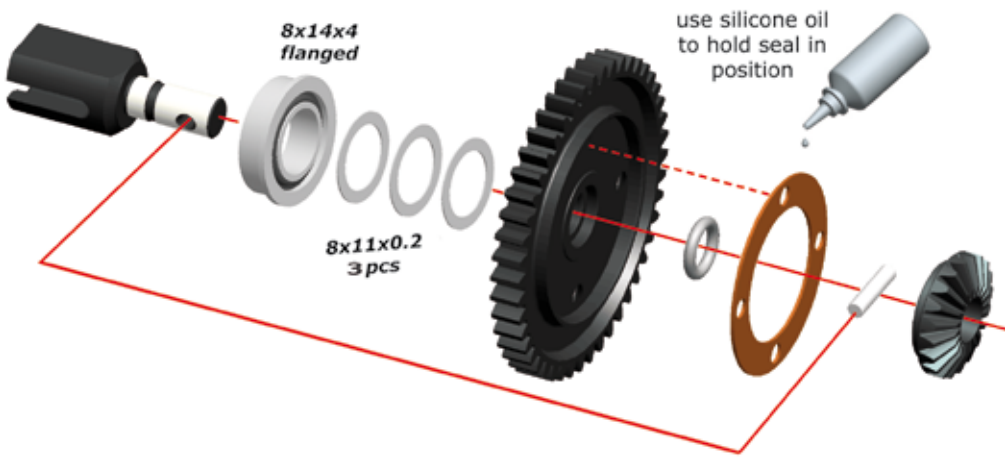
1

CENTER  
DIFF  
BAG



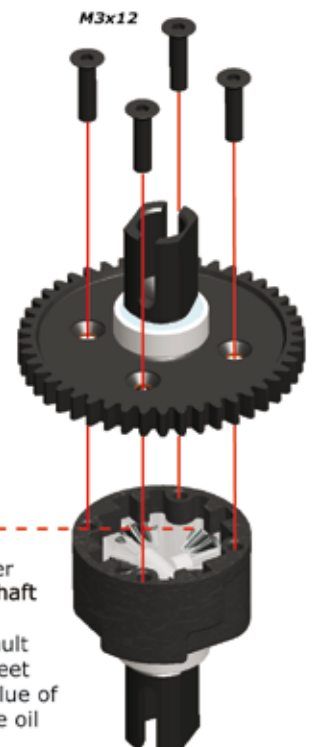
A

2



A

3



silicone oil fill just over the gear shaft

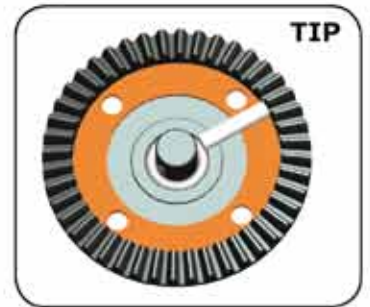
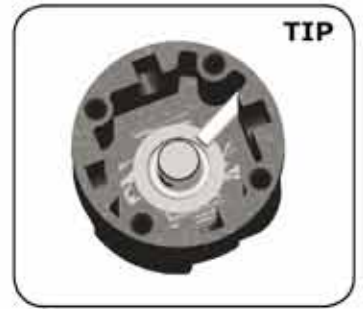
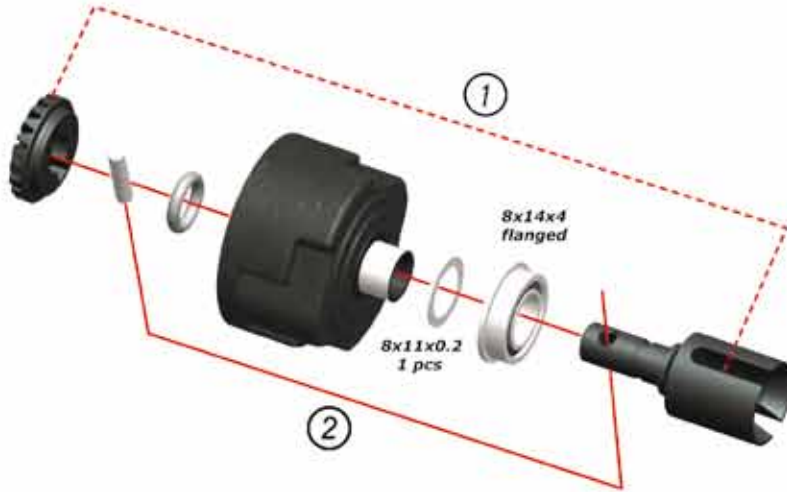
check default SET-UP sheet for CST value of the silicone oil

# DIFFERENTIAL FRONT/REAR

A

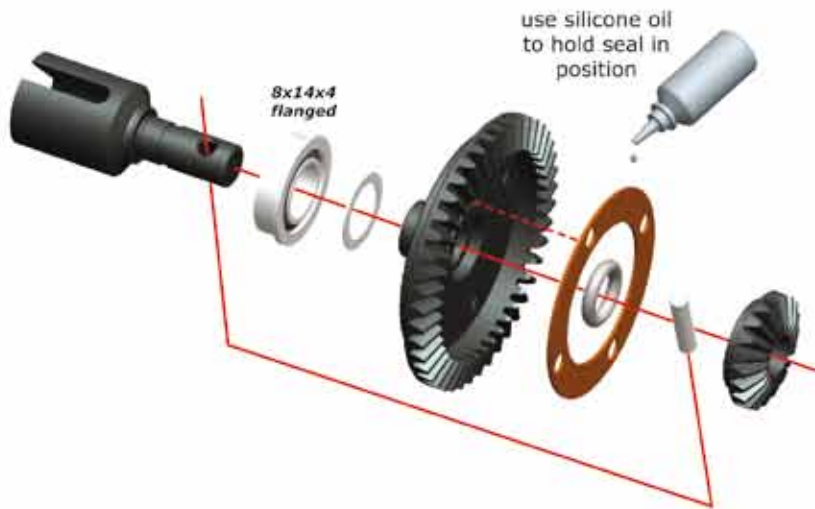
4

FR/RR  
DIFF  
BAG



A

5



A

6



Sport  
BIB

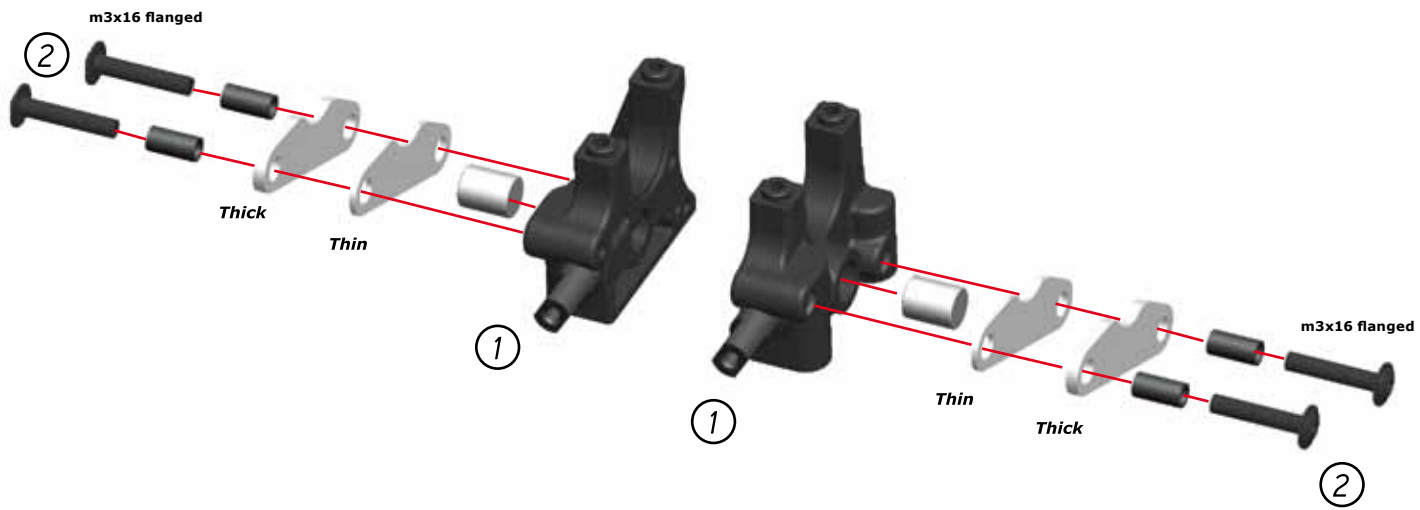
5

A

# CENTER BRAKE ASSEMBLY

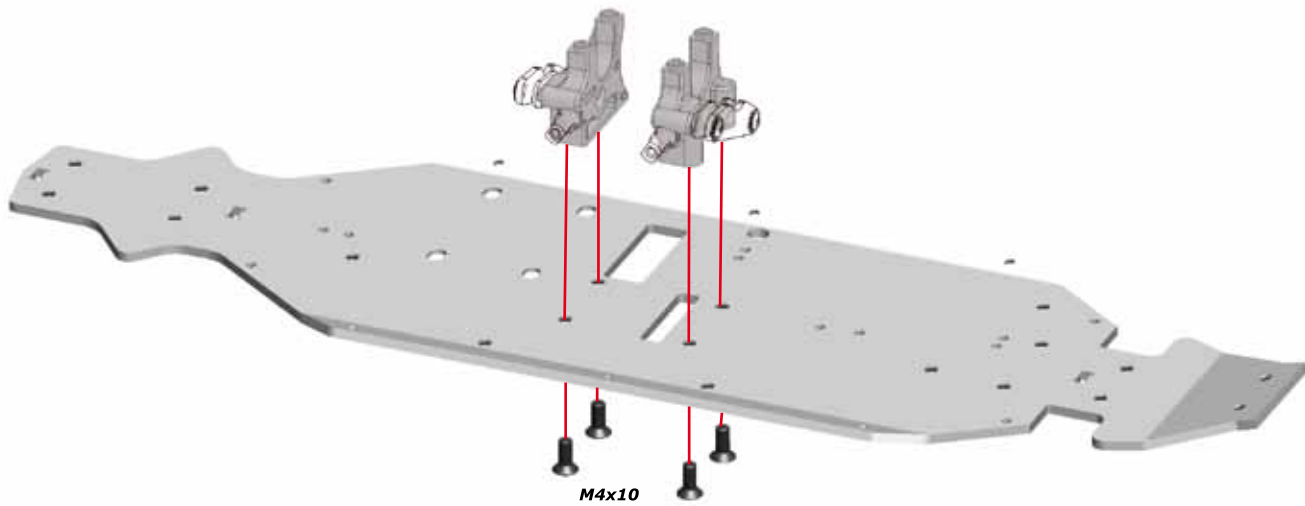
7

BAG  
1



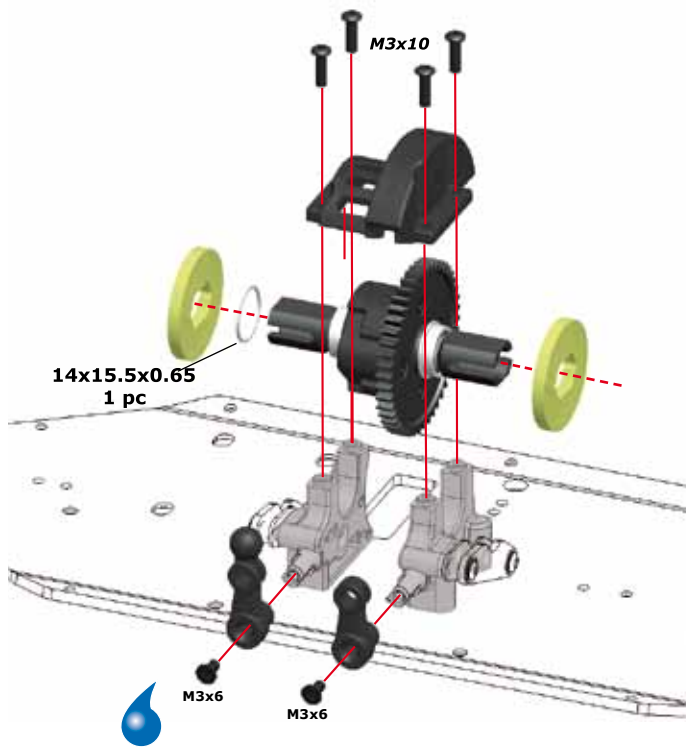
A

8



A

9



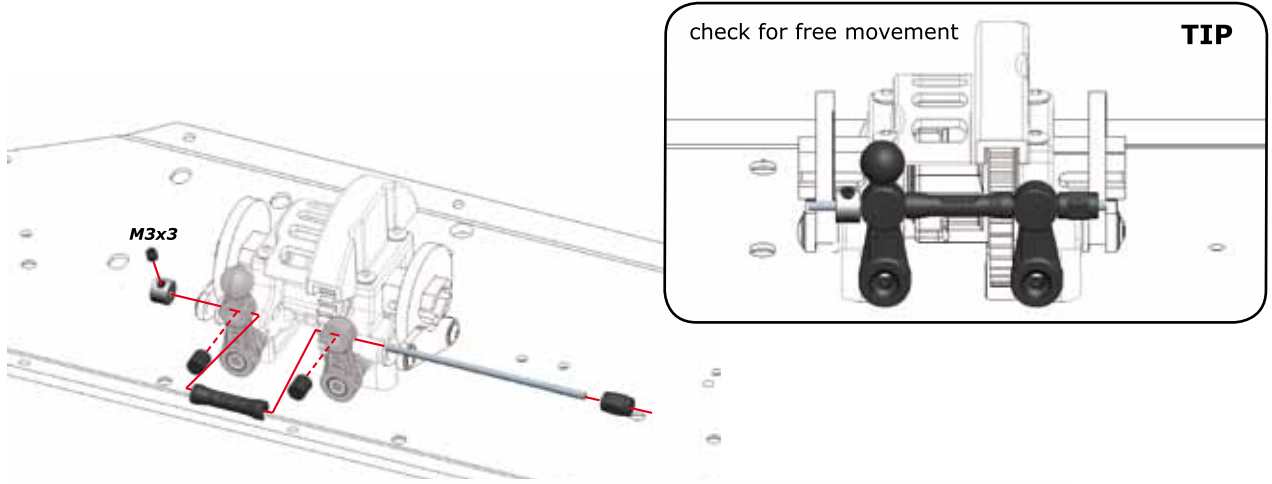
use threadlock for these screws  
in the brakelever

BLB Sport

6

A

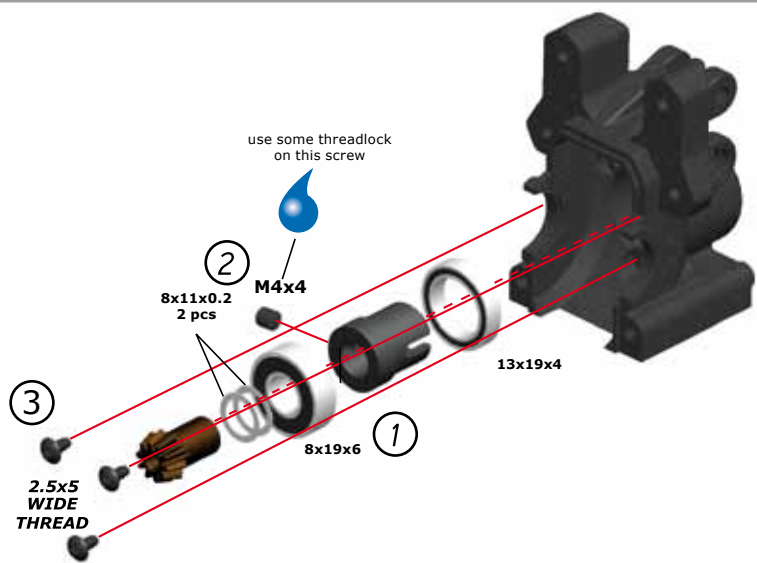
10



A

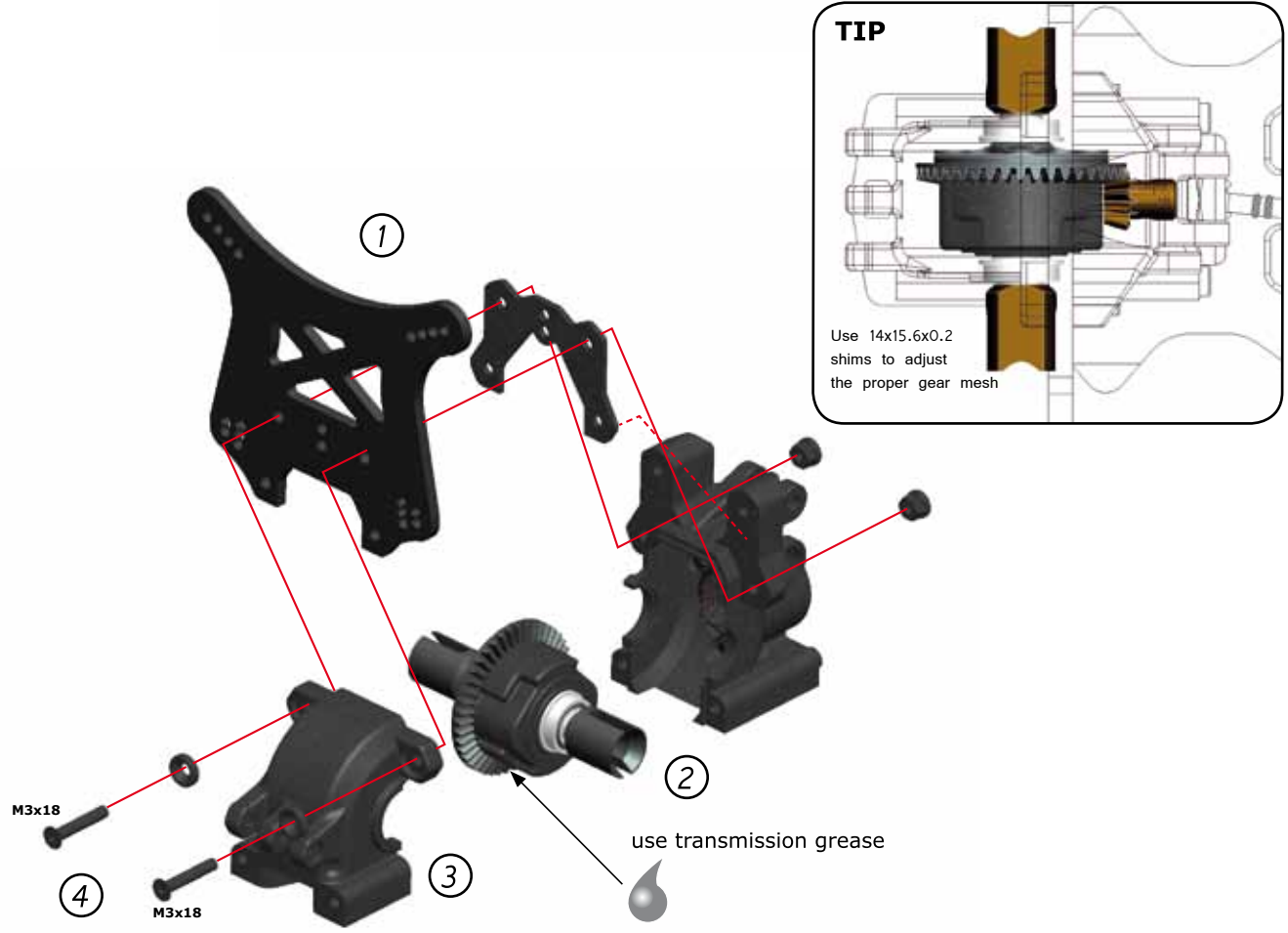
11

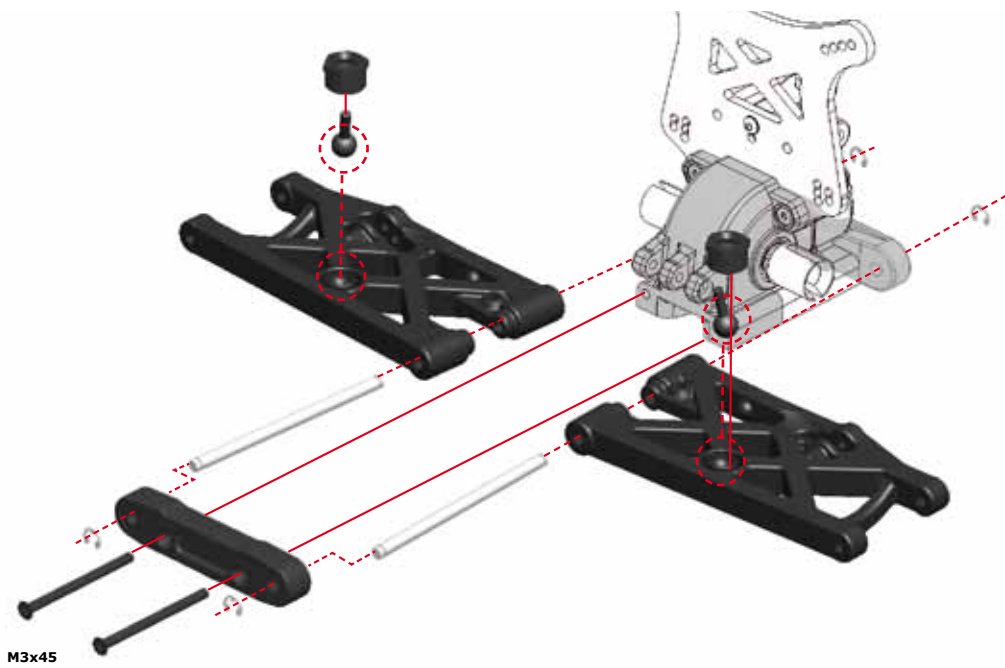
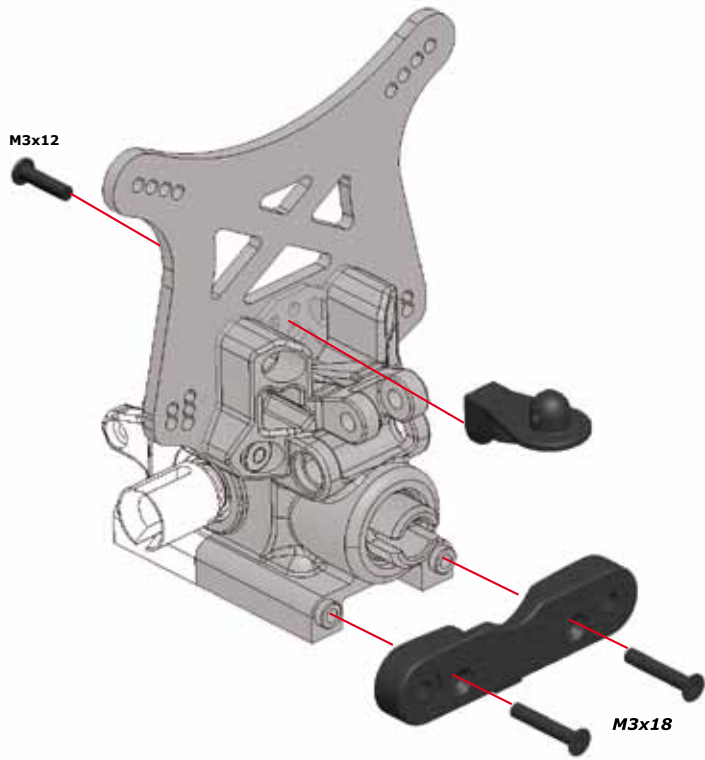
BAG 2



A

12



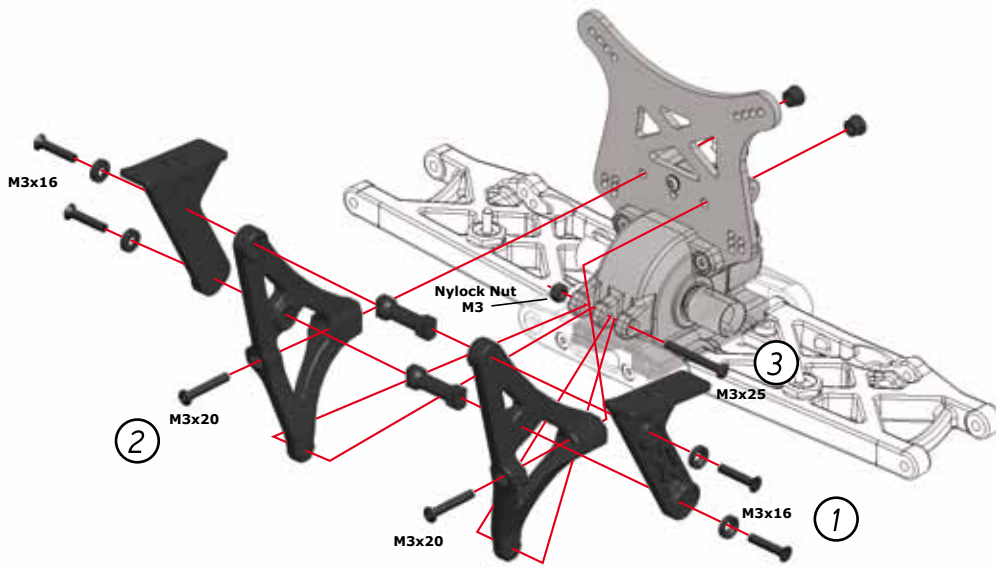




A

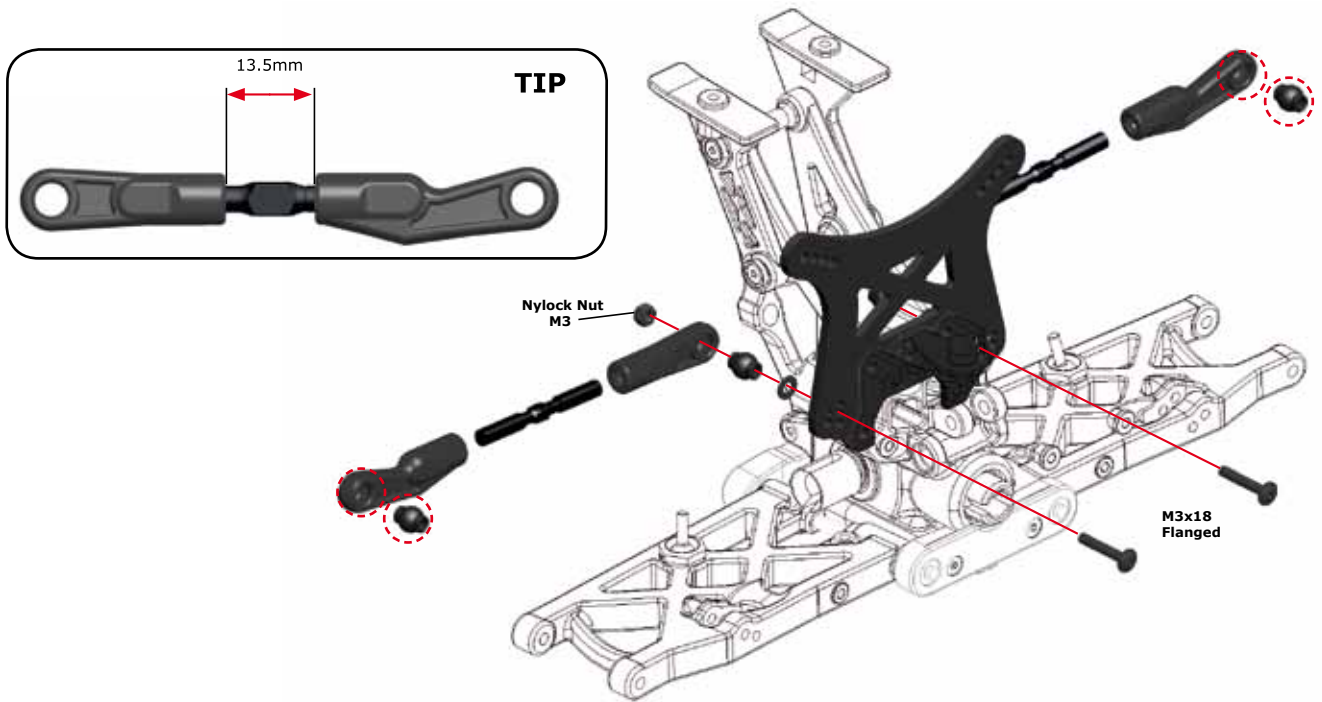
15

BAG  
3



A

16



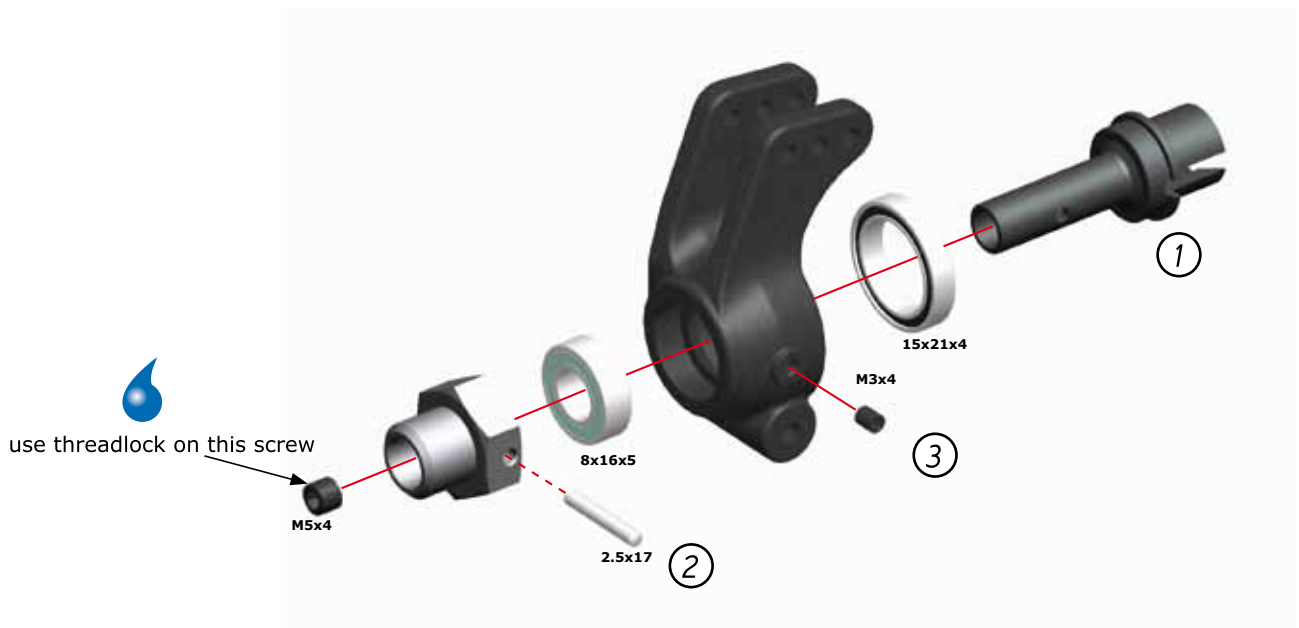
A

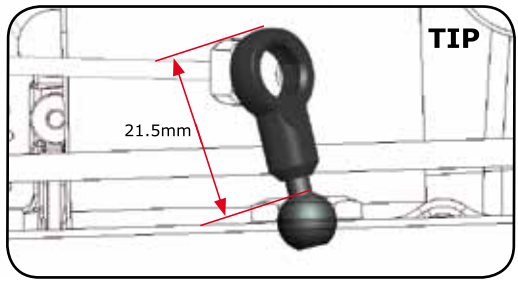
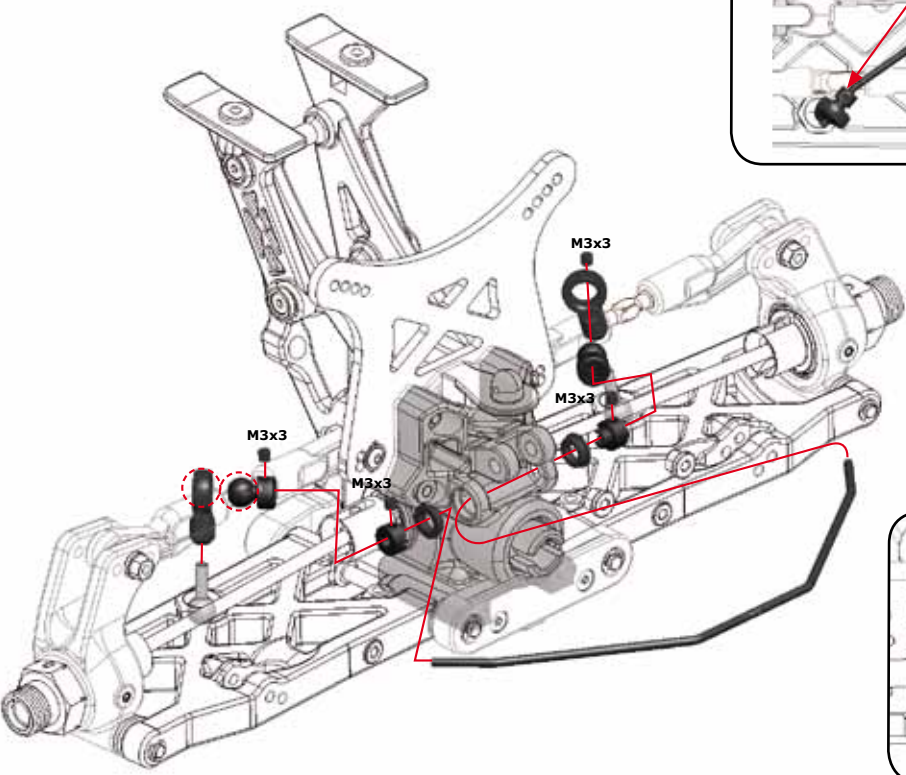
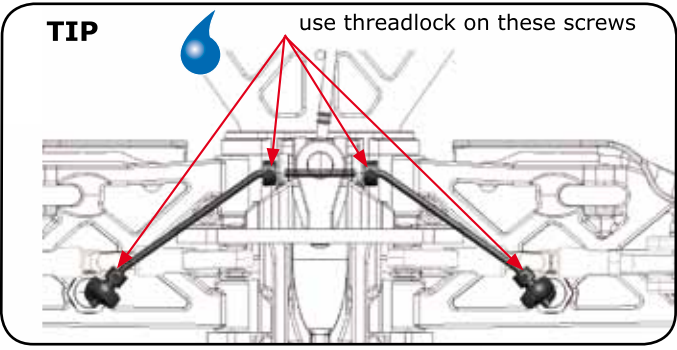
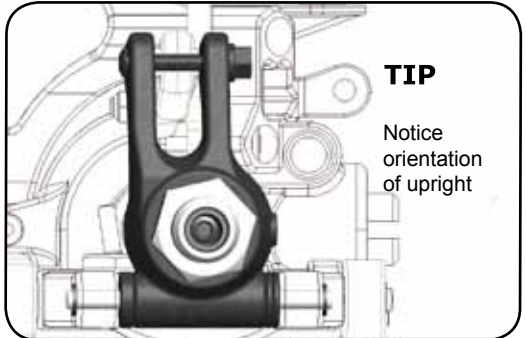
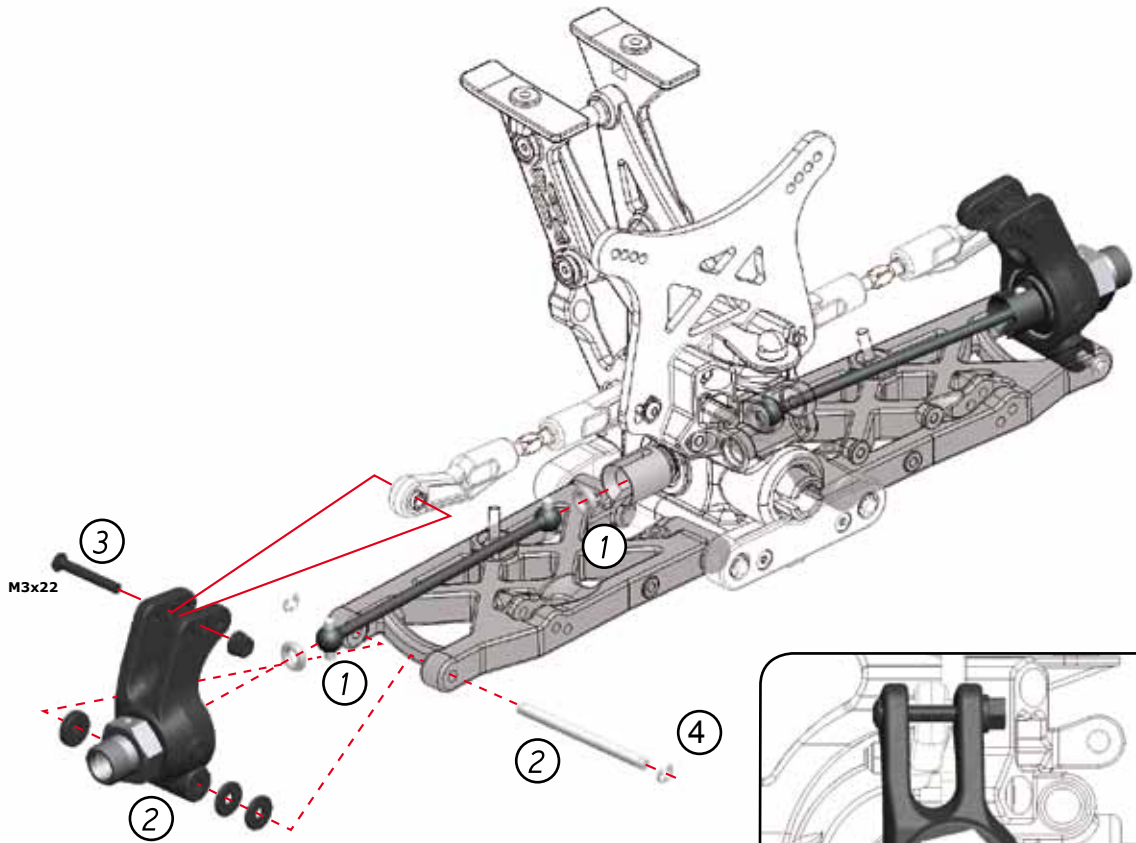
17

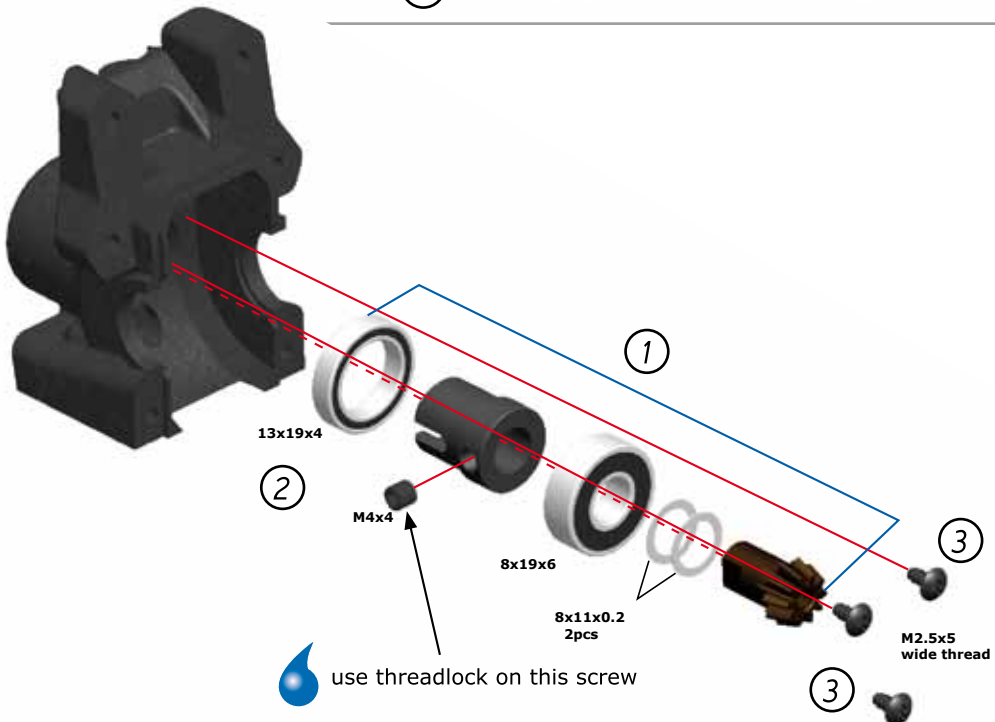
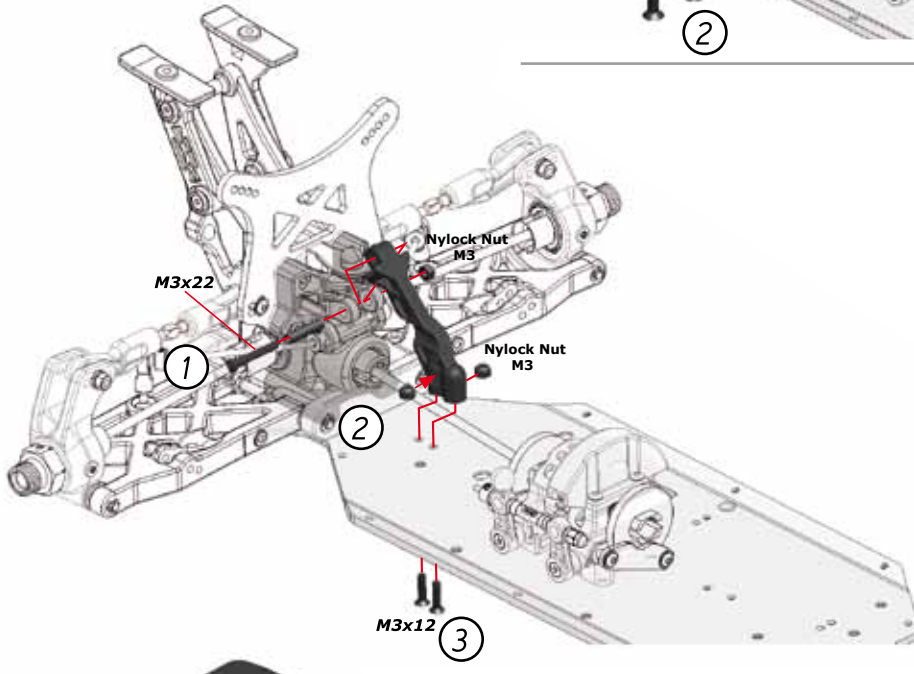
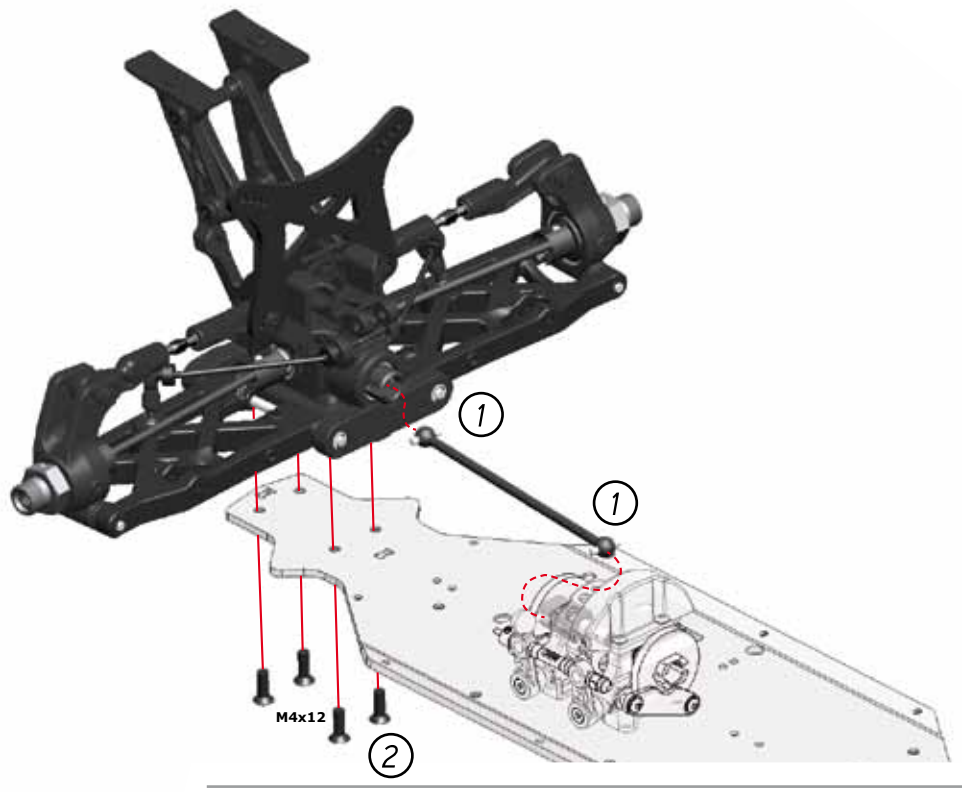
BAG  
4

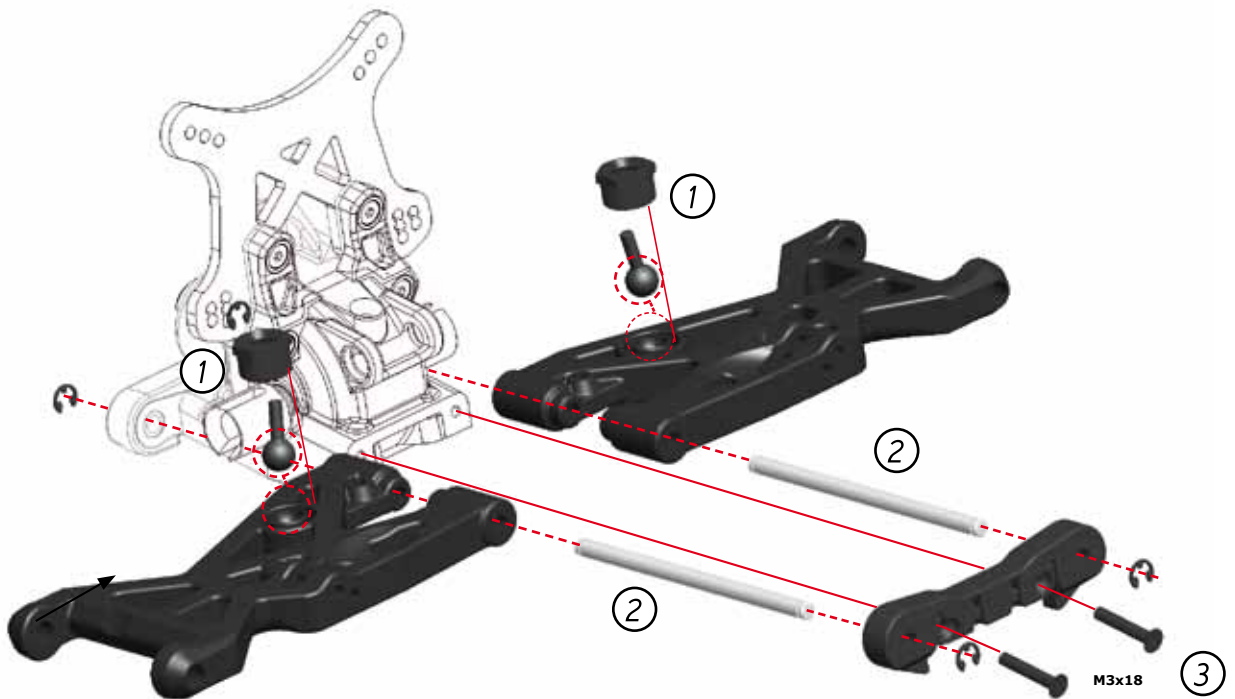
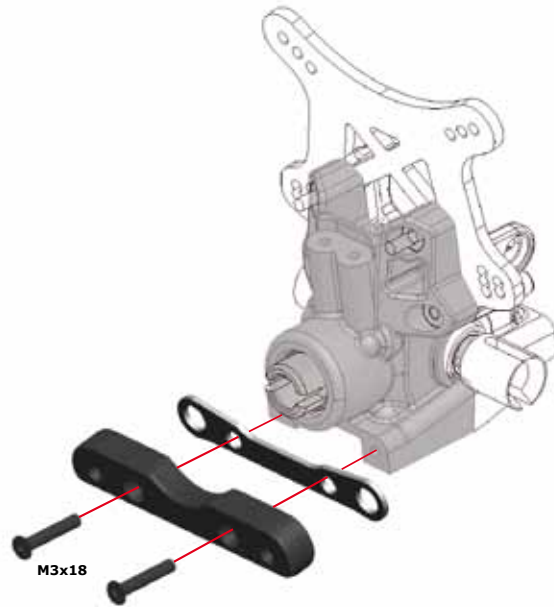
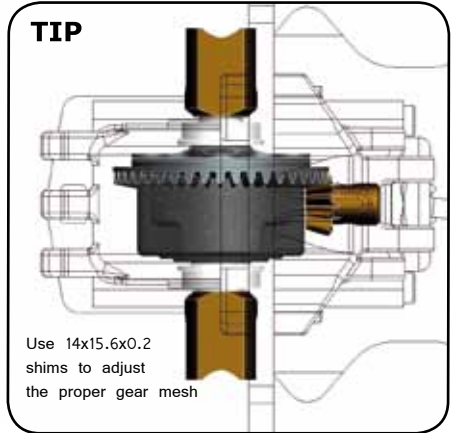
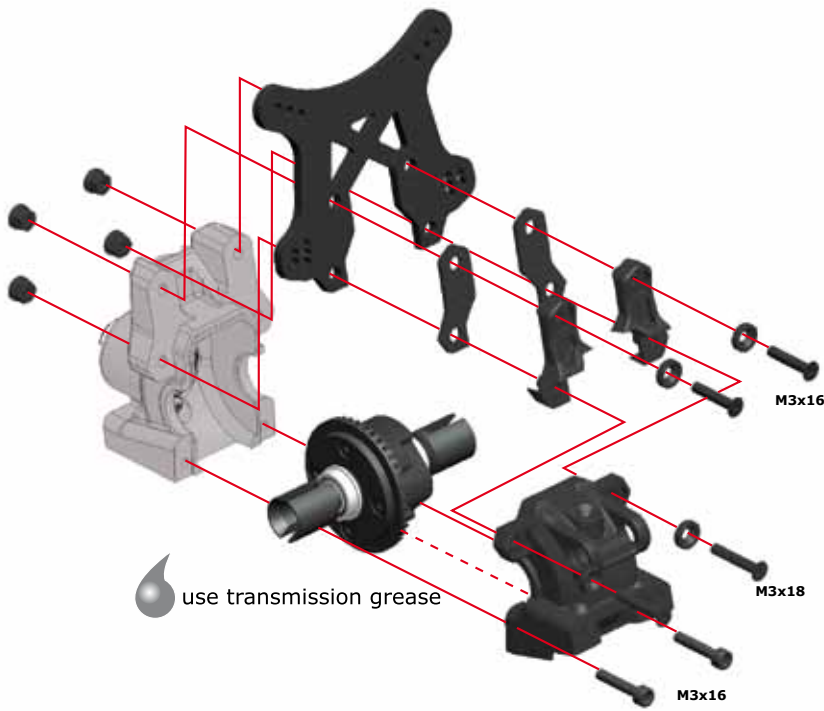
BLIB Sport

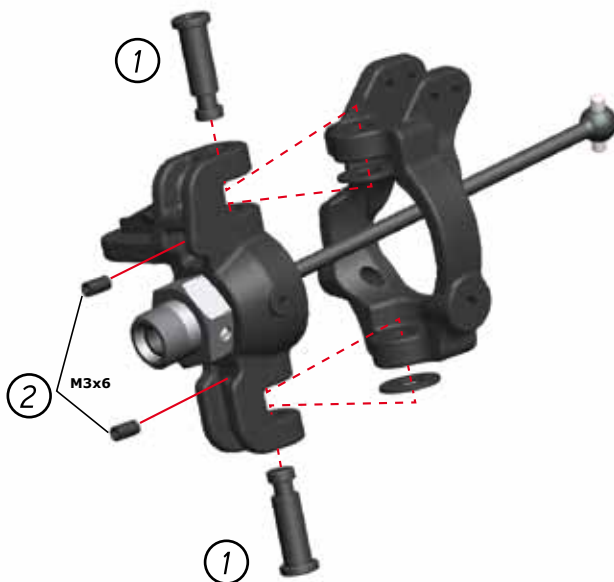
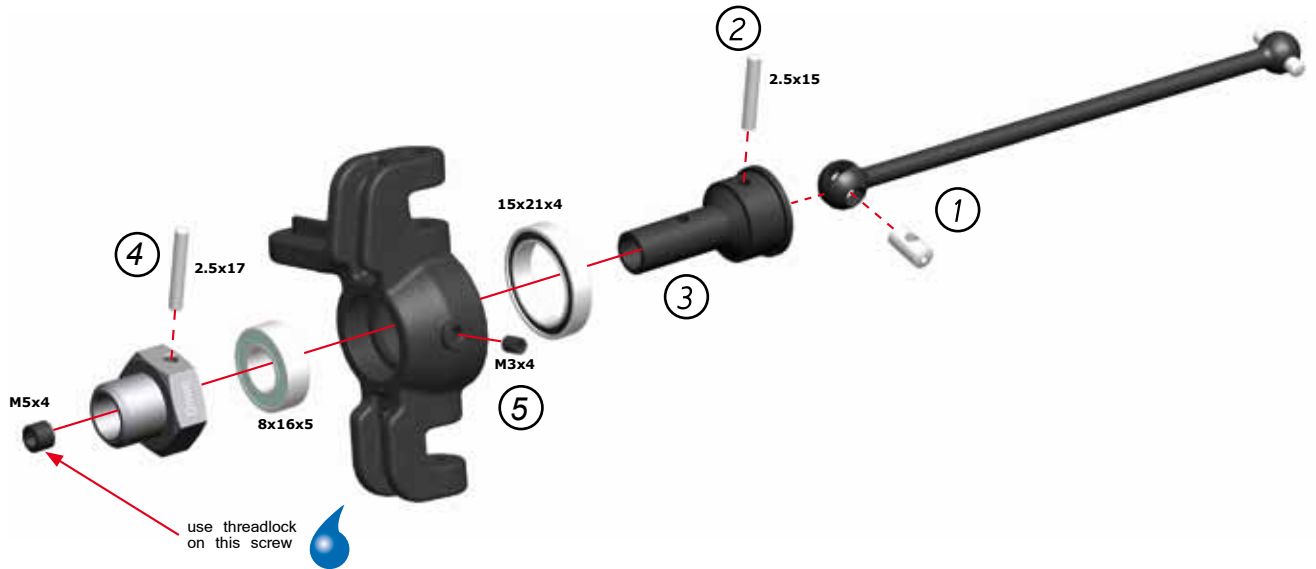
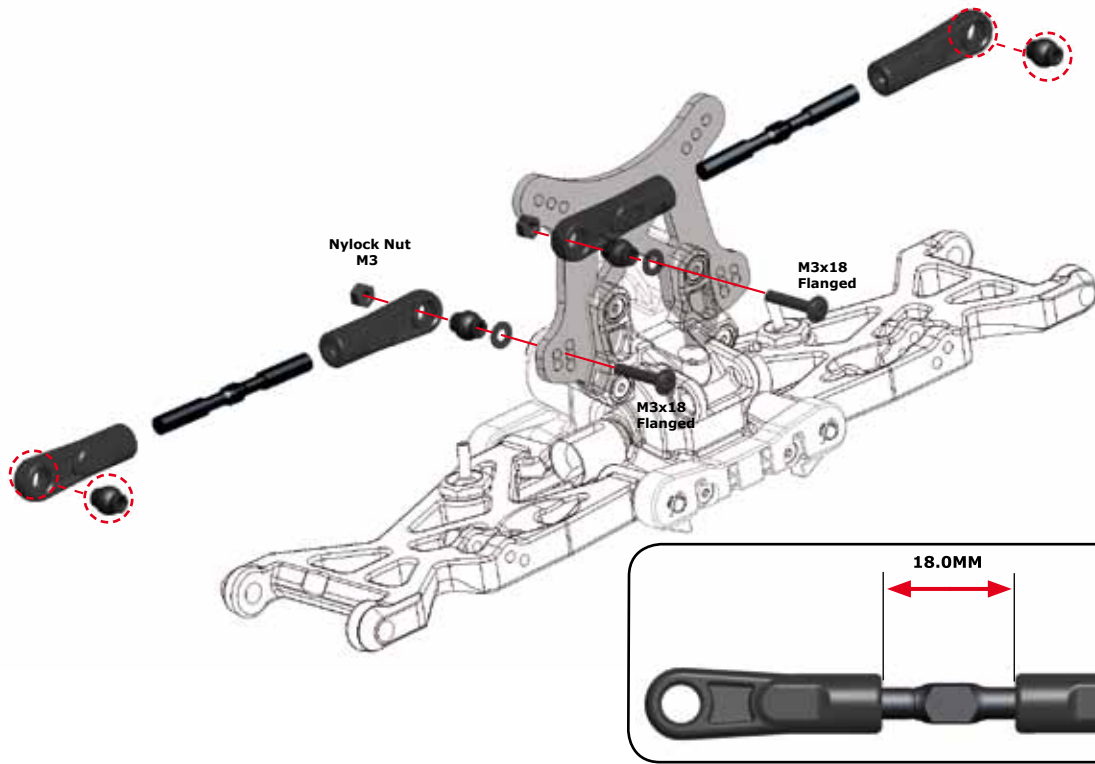
9

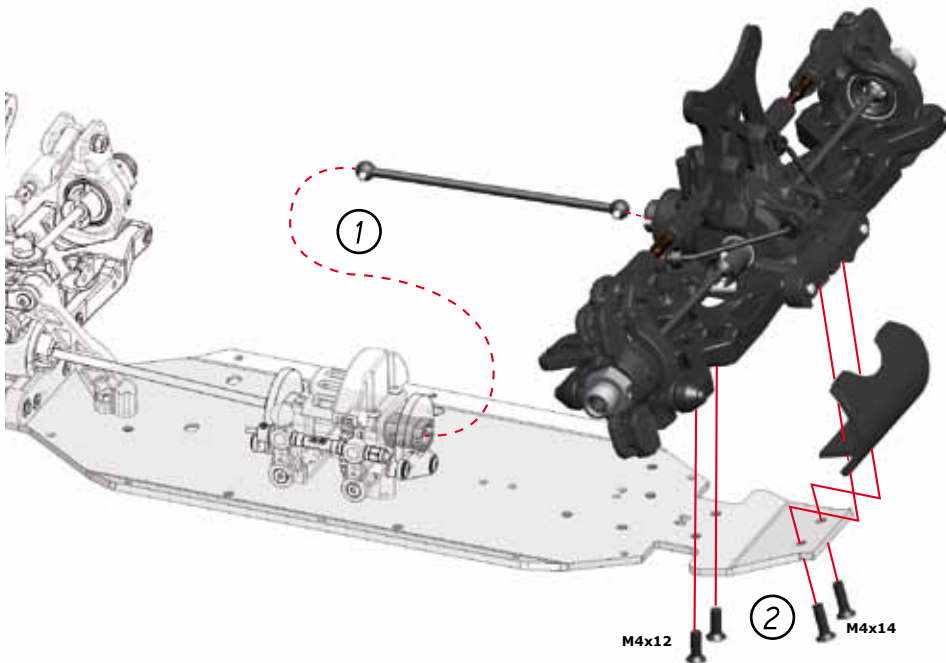
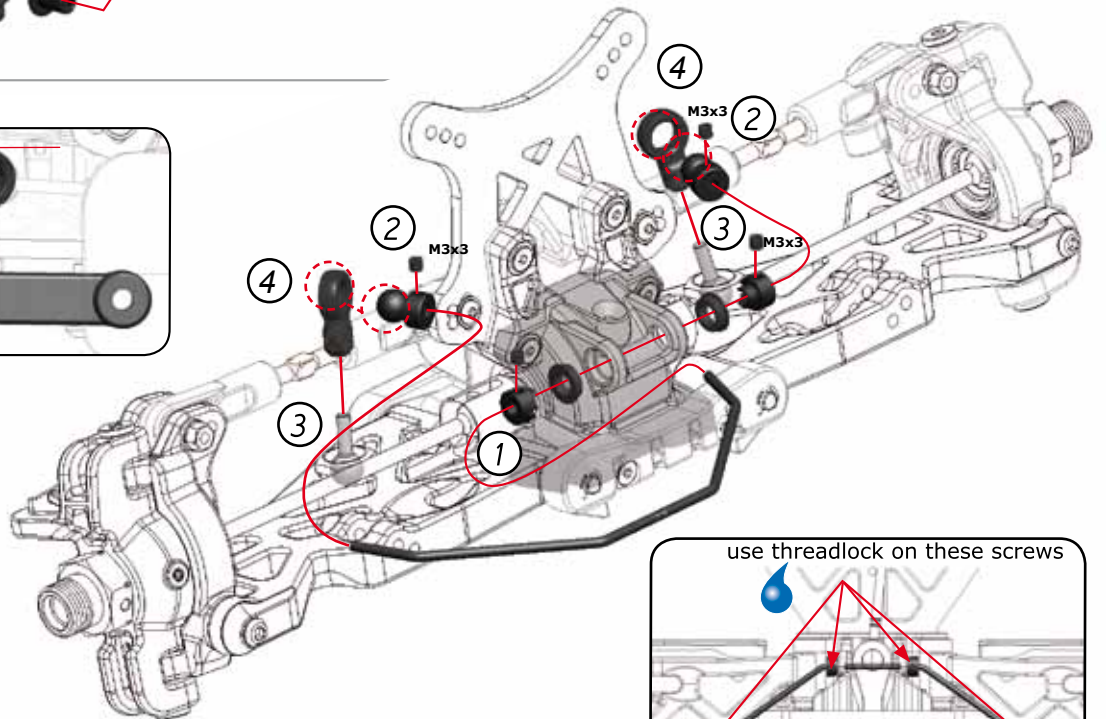
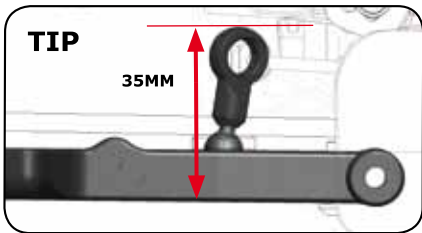
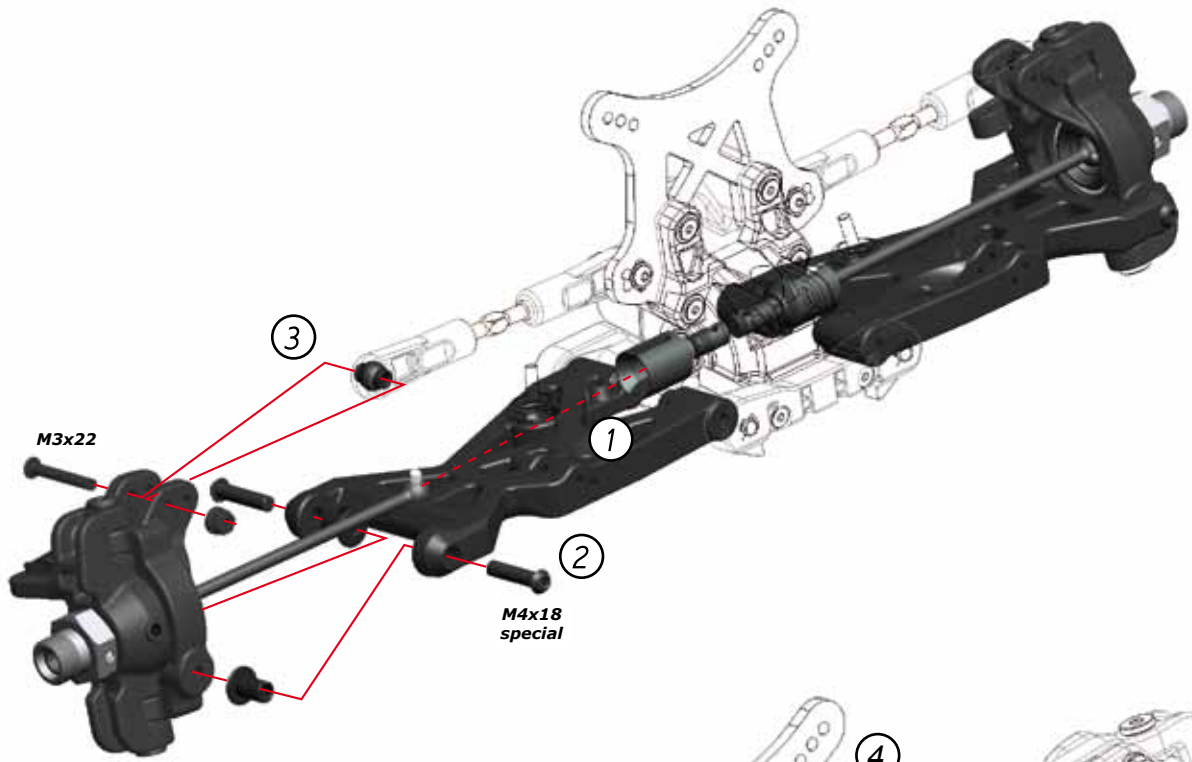


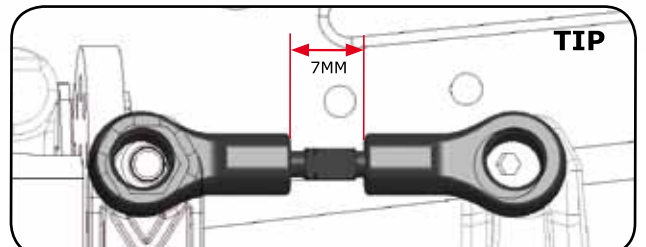
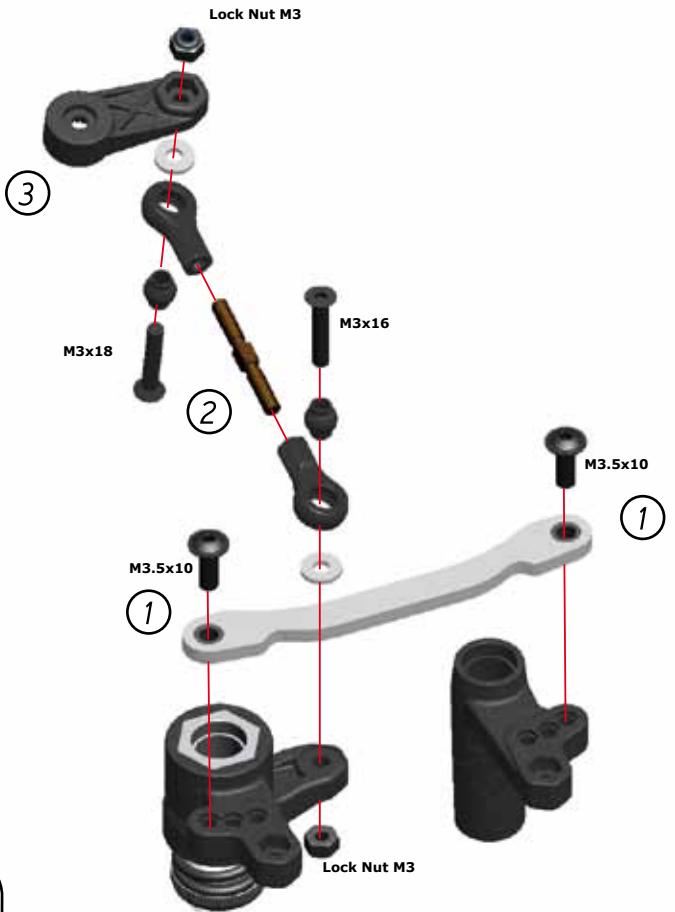
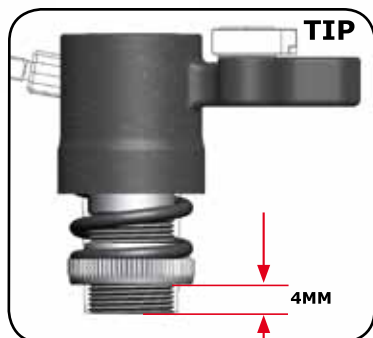
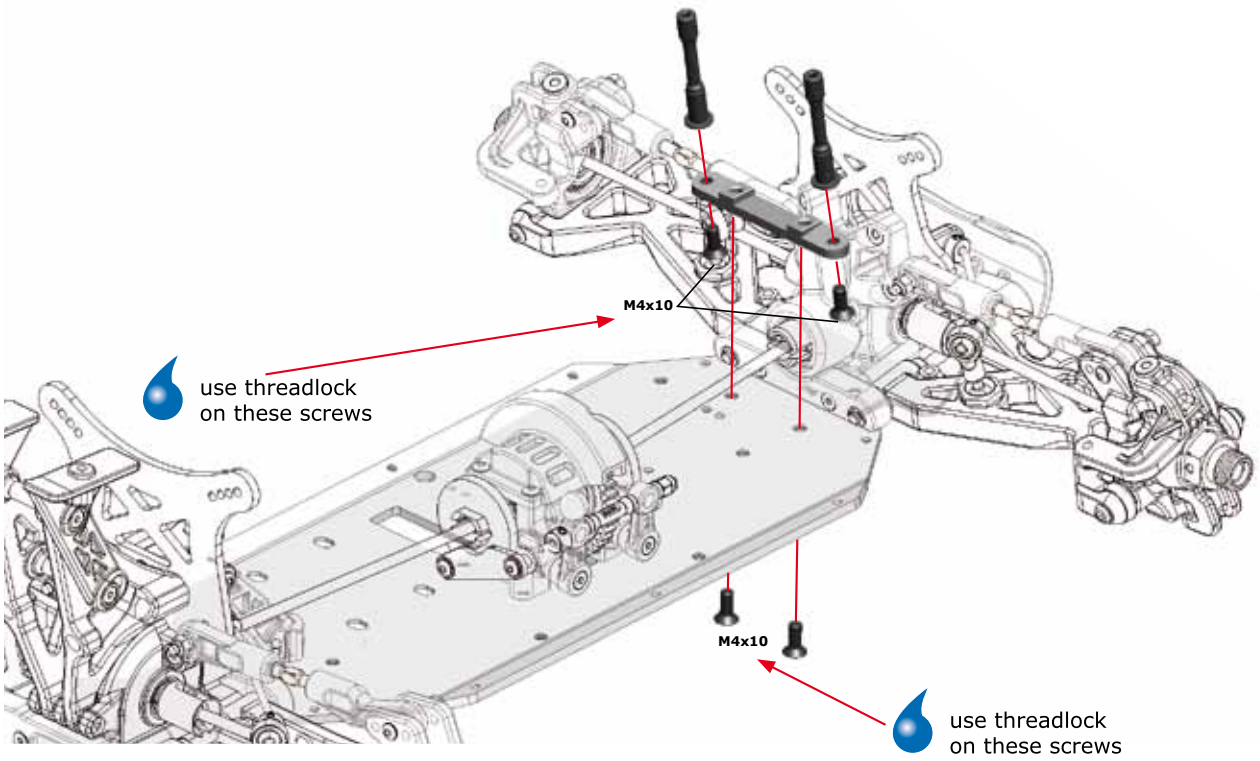


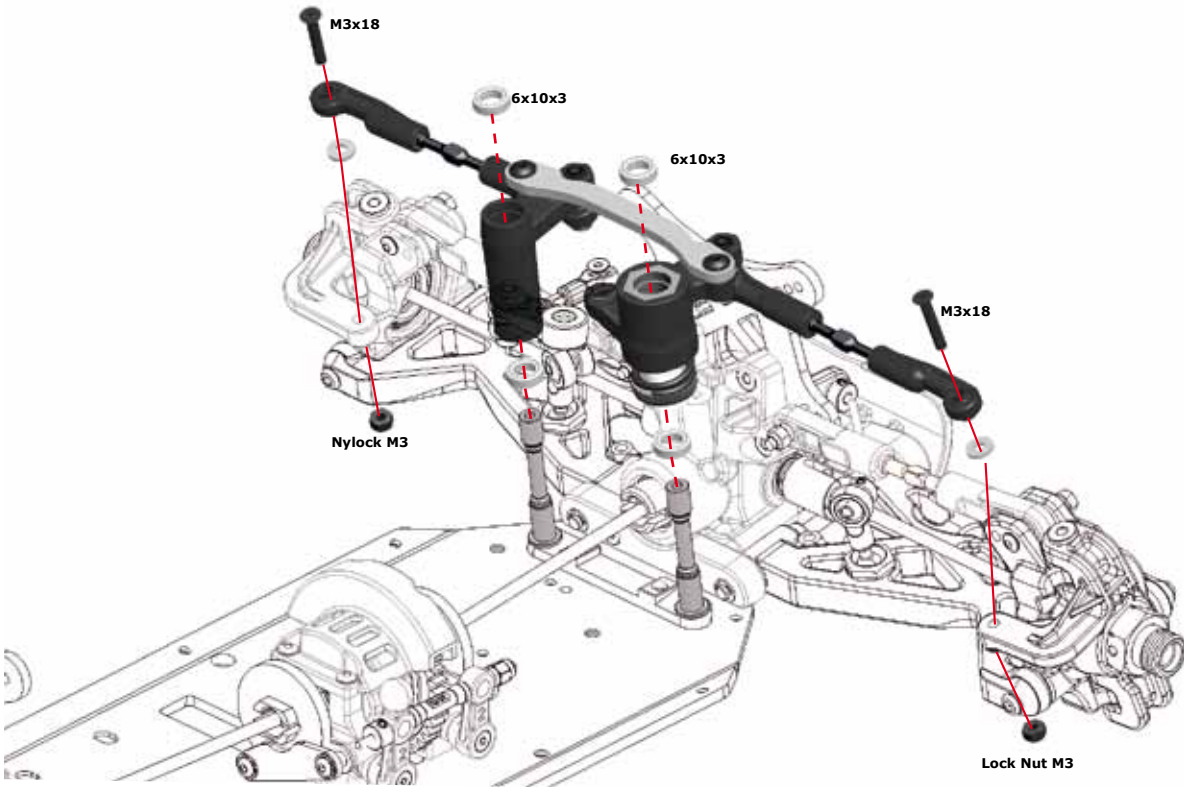
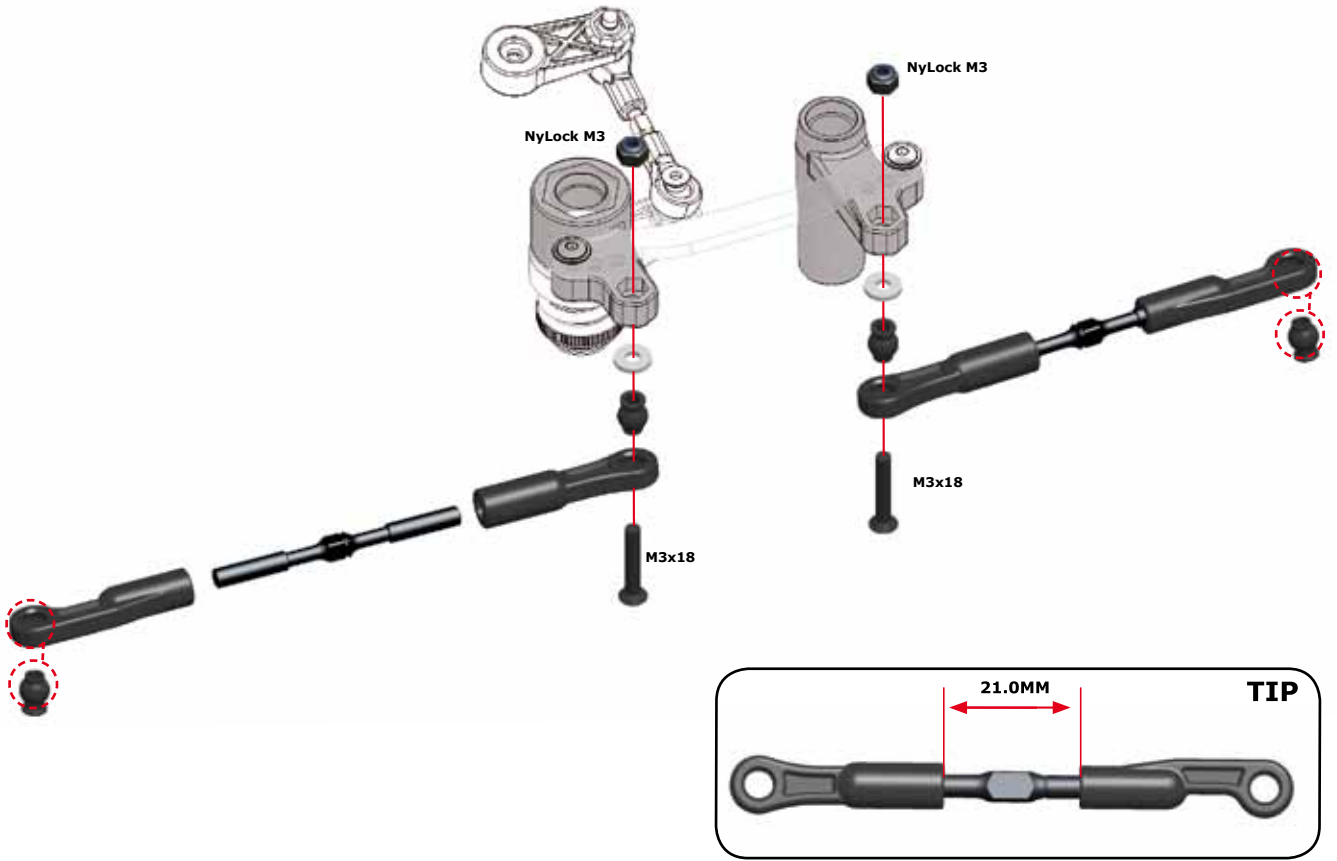




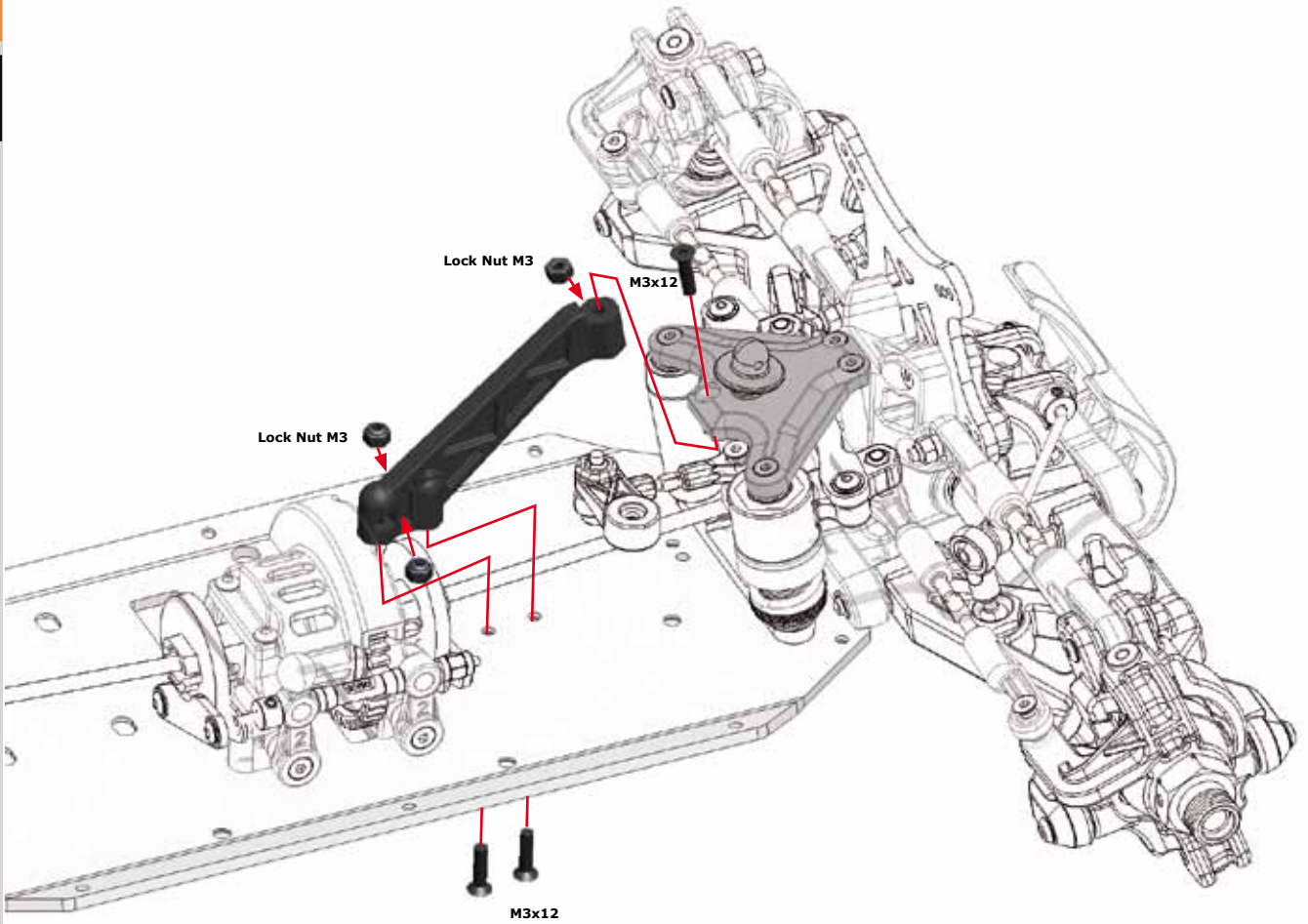
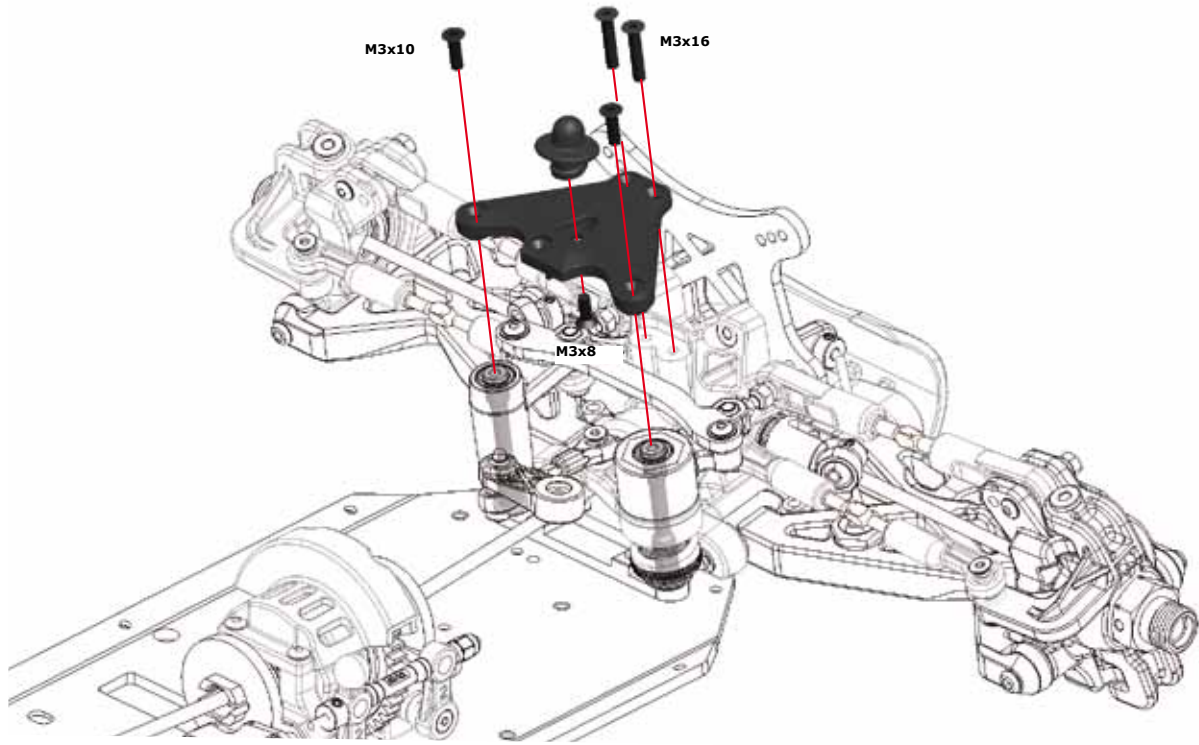












# CLUTCH / ENGINE

B

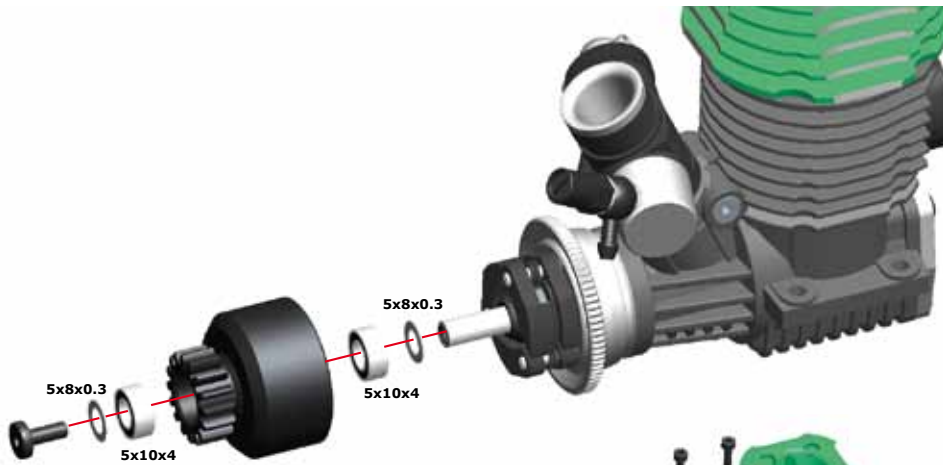
1

BAG  
8



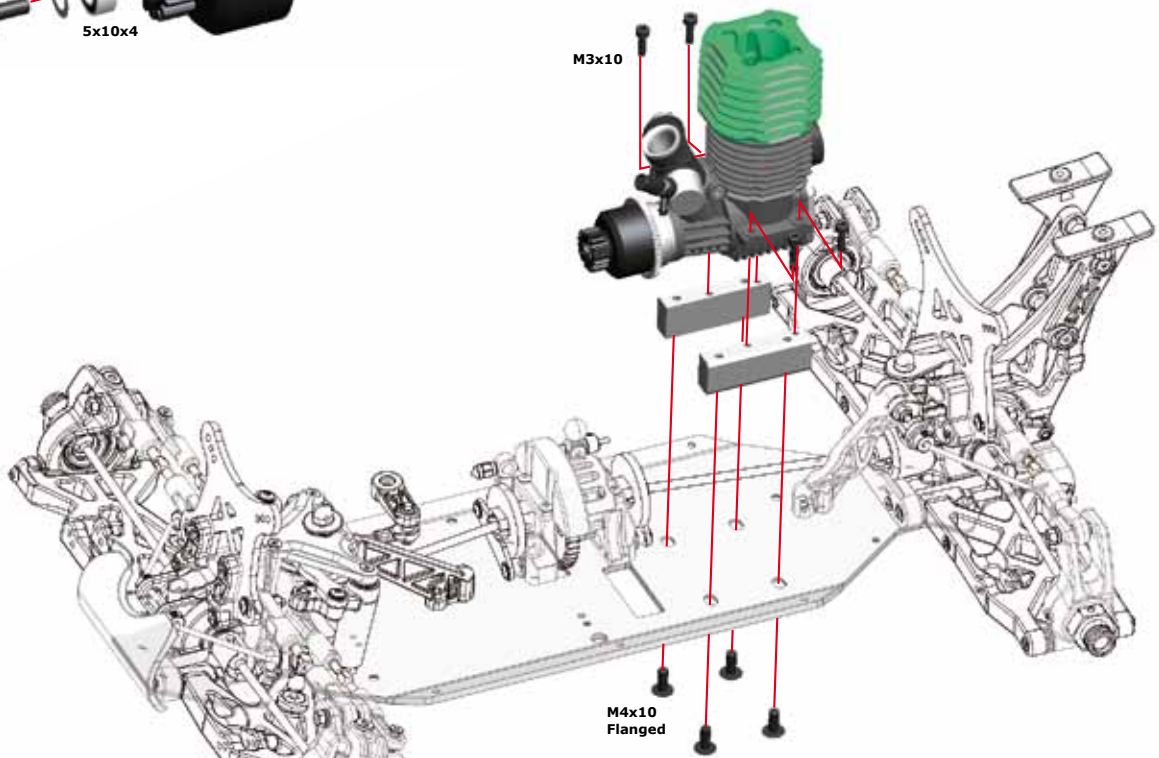
B

2



B

3



B

4

Sport  
BIB

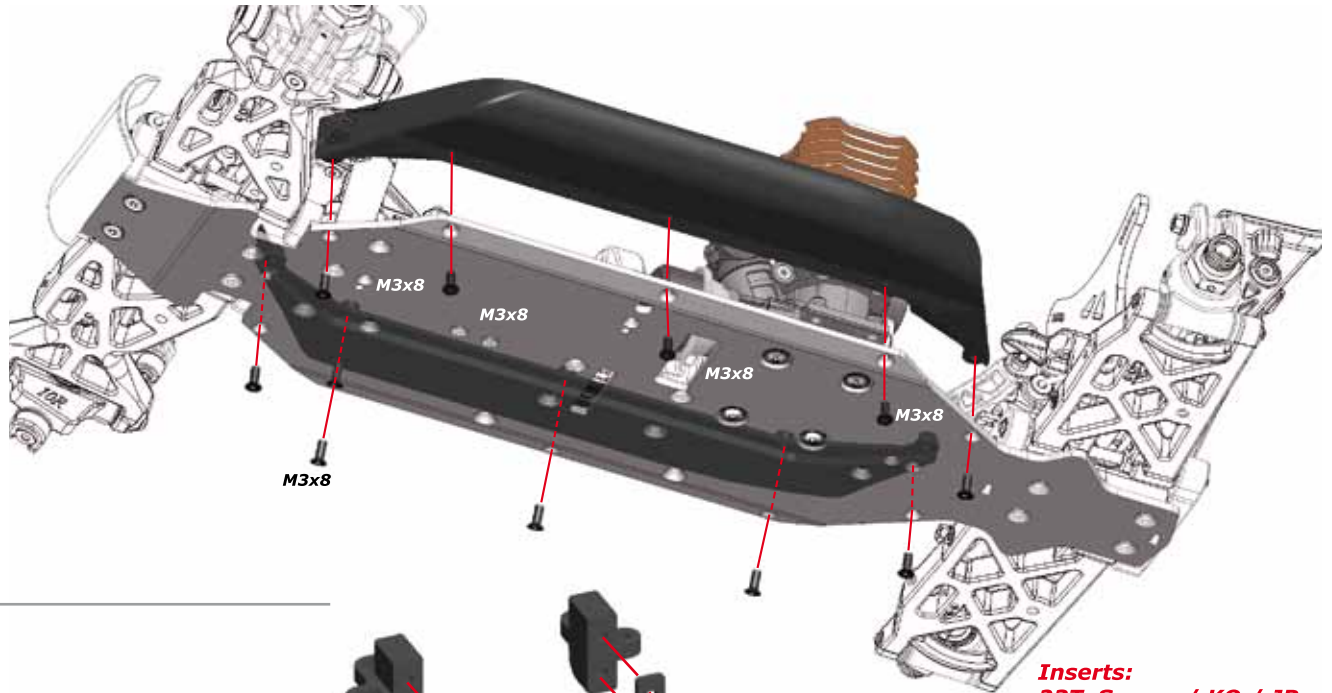
18

# SIDE-GUARD / RADIO ASSEMBLY

C

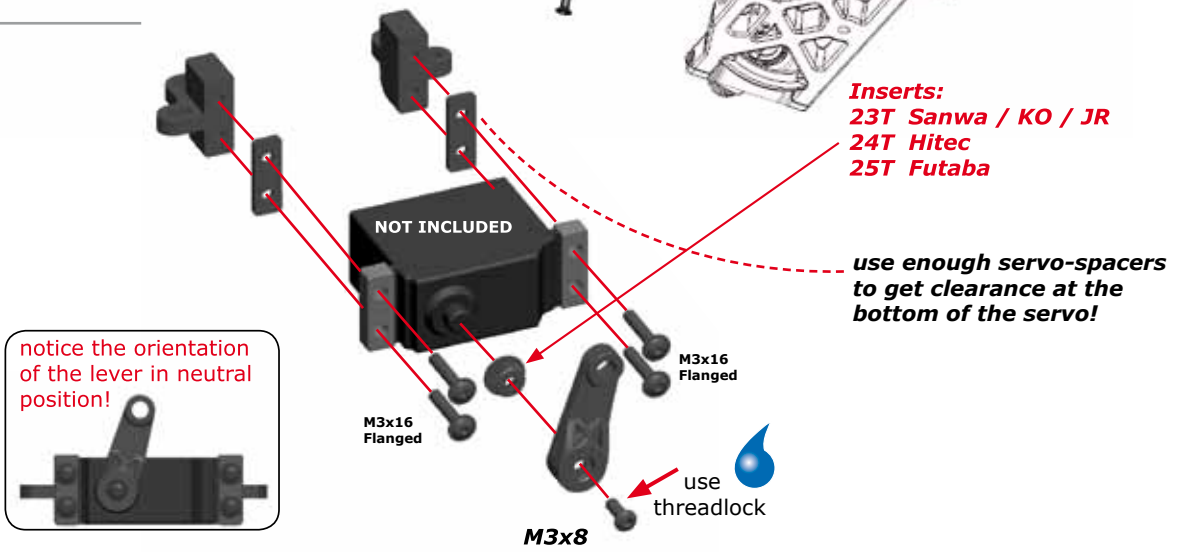
1

BAG  
9



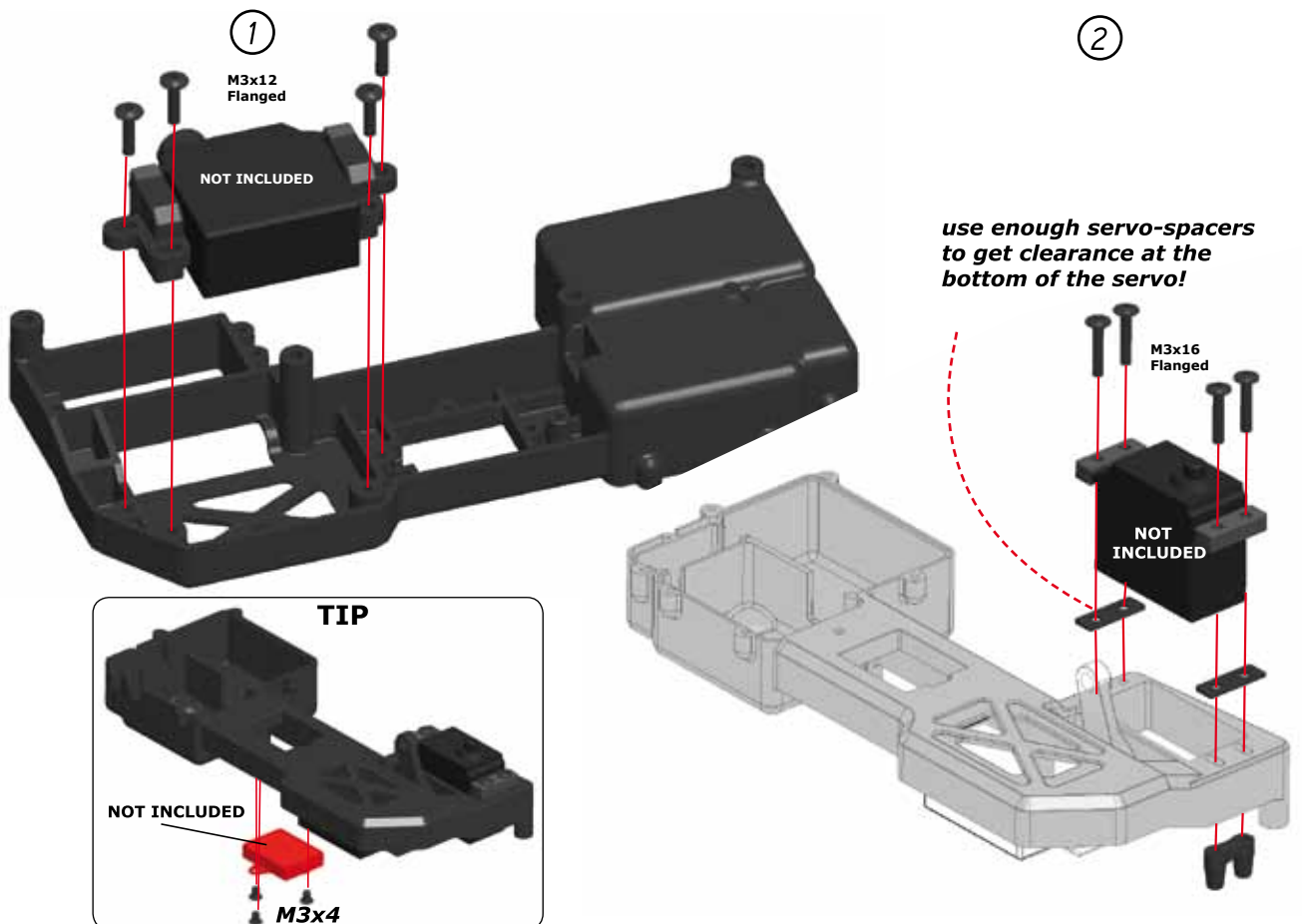
C

2



C

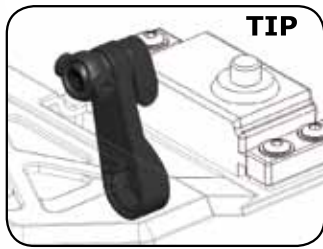
3



C

4

M2x10  
② ①

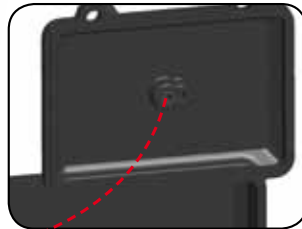


C

5

M3x20

M3x8



M3x3

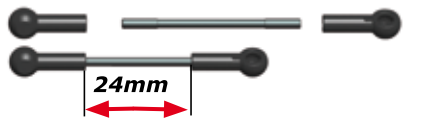
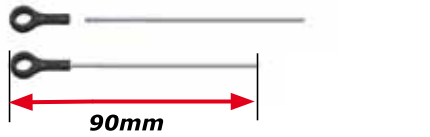
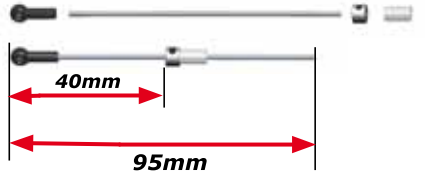
NOT INCLUDED

NOT INCLUDED

C

7

M3x3



C

6

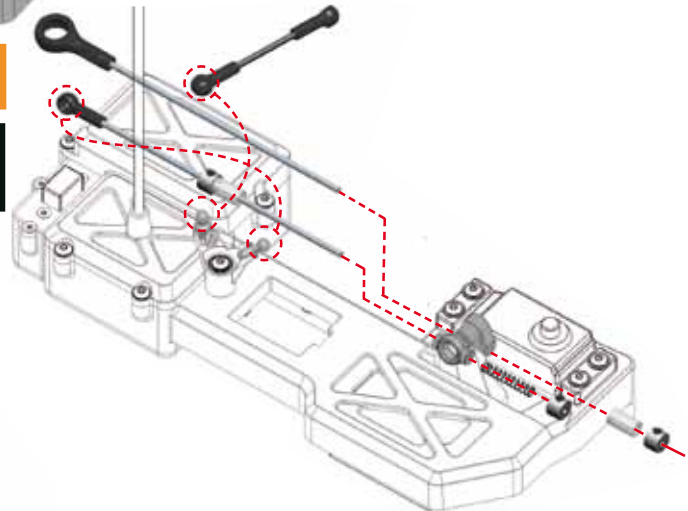
C

8

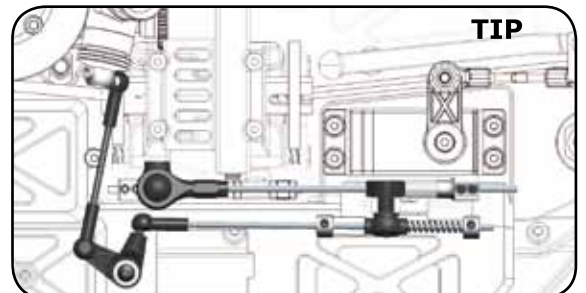
C

8

M3x8



M4x10



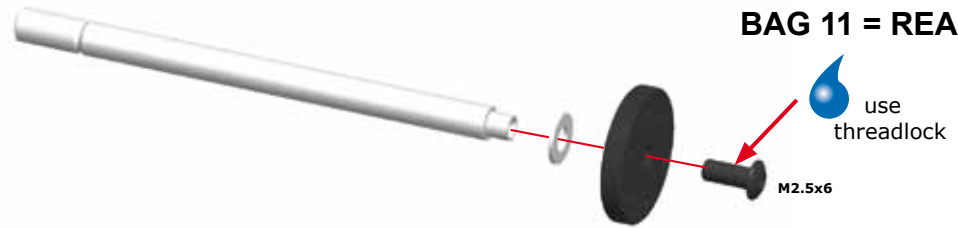
# FRONT/REAR SHOCK ASSEMBLY

D

1

BAG 10/11

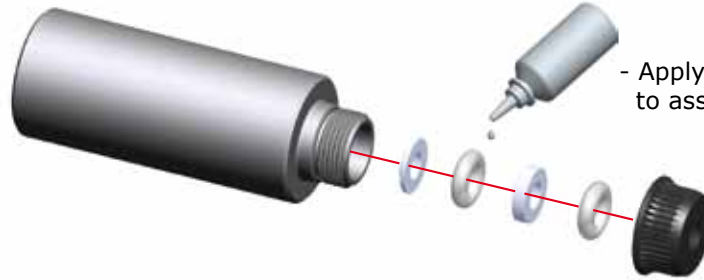
BAG 10 = FRONT  
BAG 11 = REAR



D

2

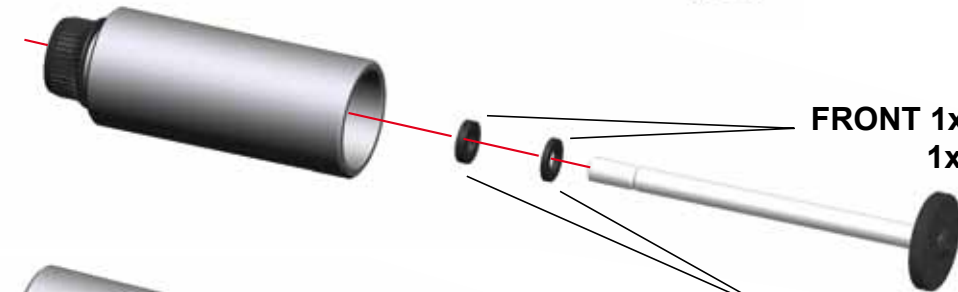
- Apply some silicone oil to assemble the O-rings



D

3

FRONT 1x1.0mm  
1x1.5mm



D

4

REAR 1x1.0mm  
2x1.5mm



D

5

D

6A

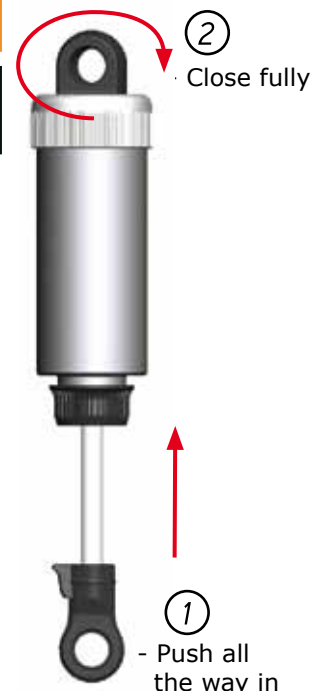


Push membrane into the shock top

D

6B

- Fill up with silicone oil
- Wait for air bubbles to escape
- Close top only 3/4
- Check default SET-UP sheet for CST value of silicone oil

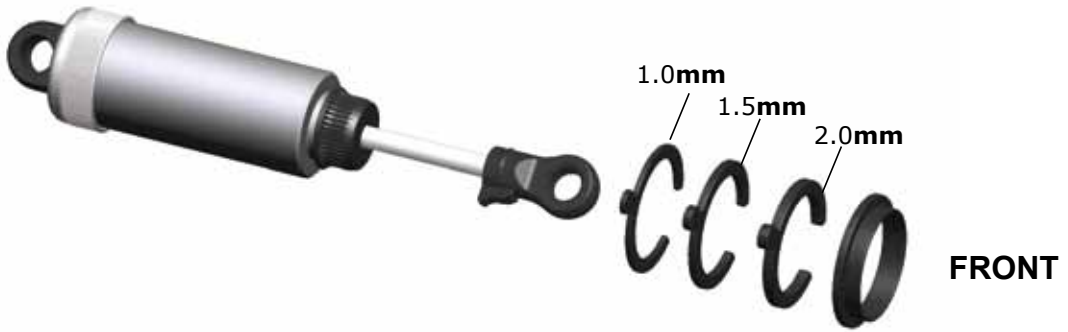


D

7

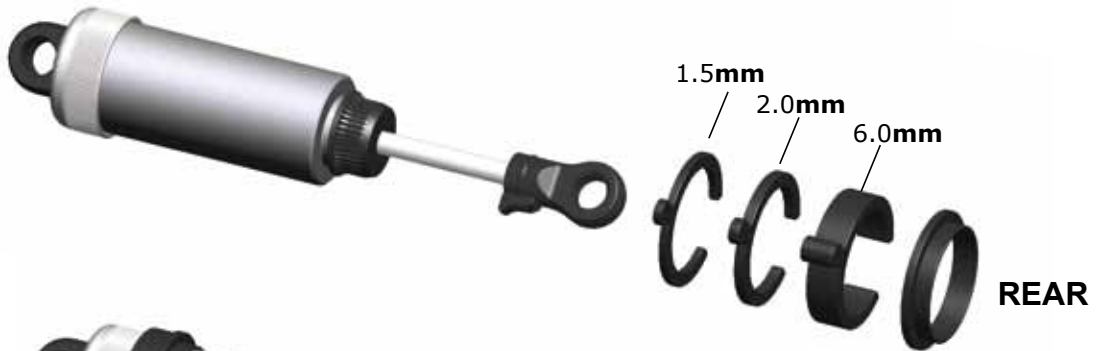
- Shock length

- FR=37mm



D

7



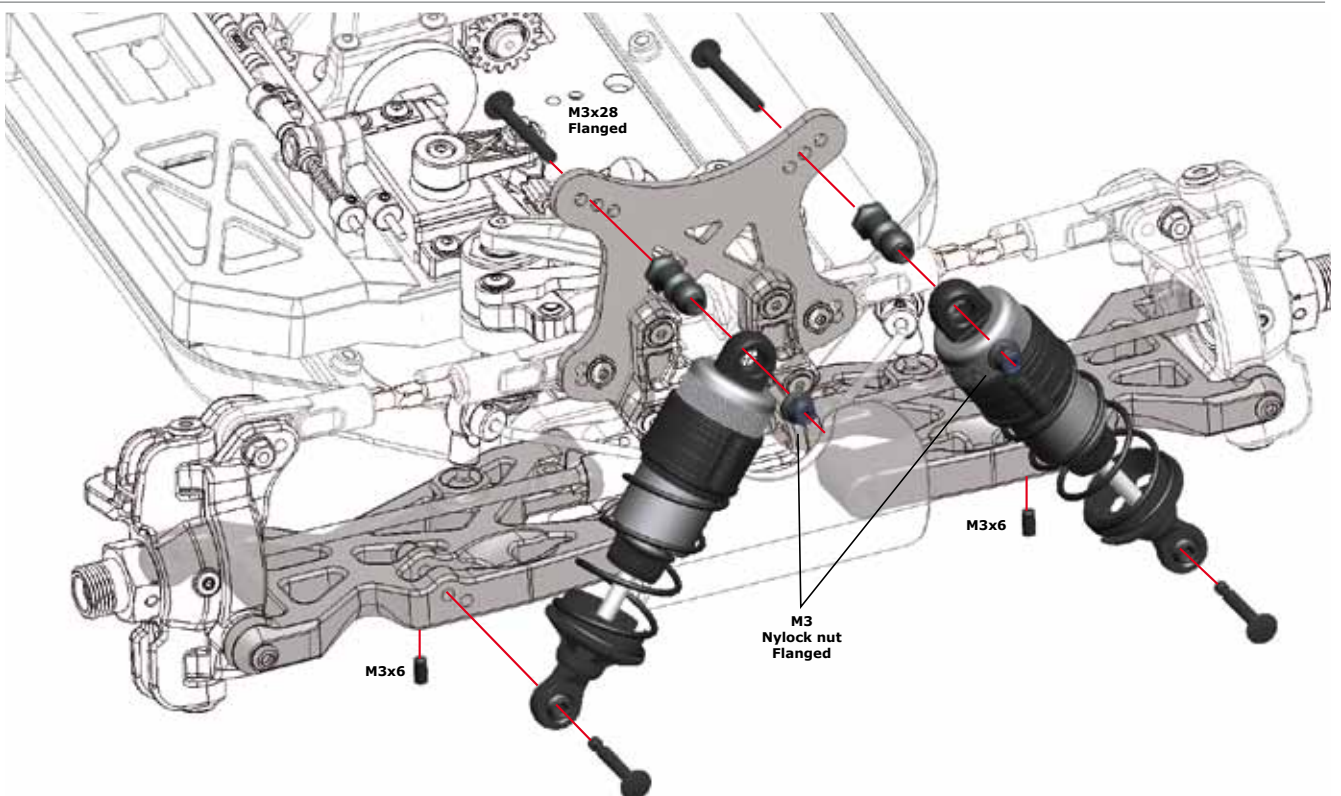
D

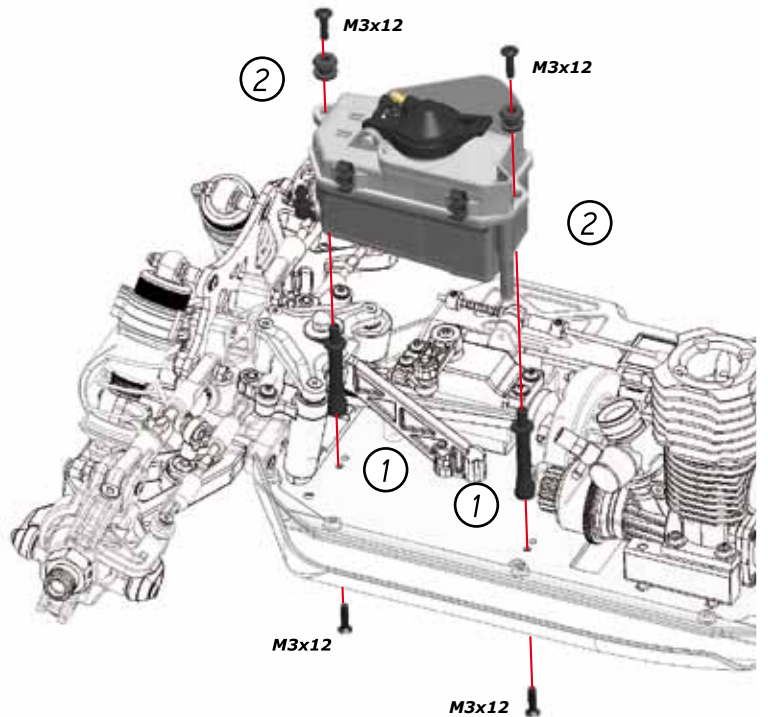
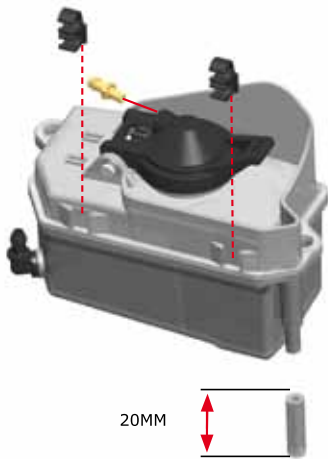
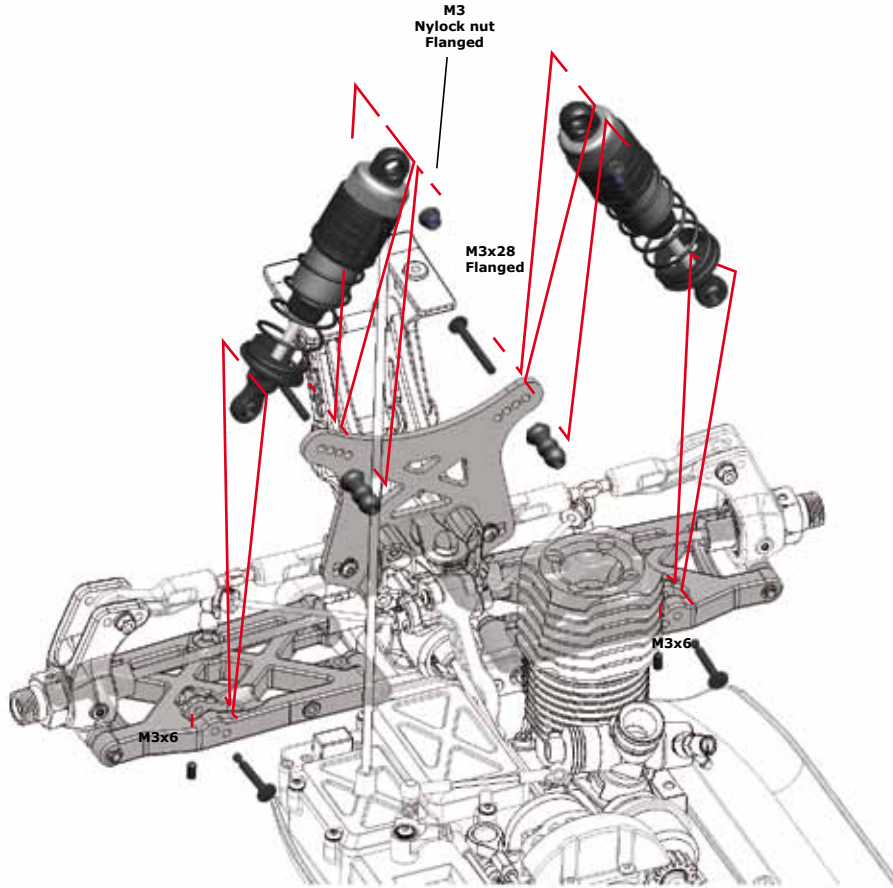
8



D

9



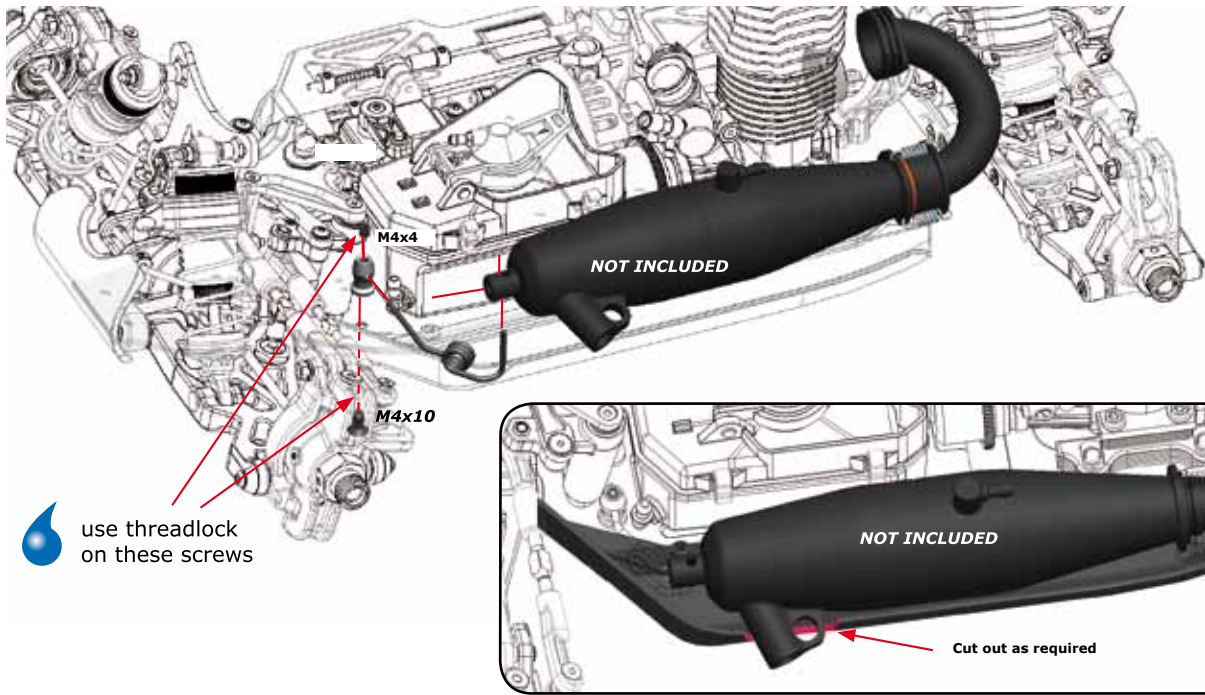


NOTE: POSITION OF TANK POSTS

E

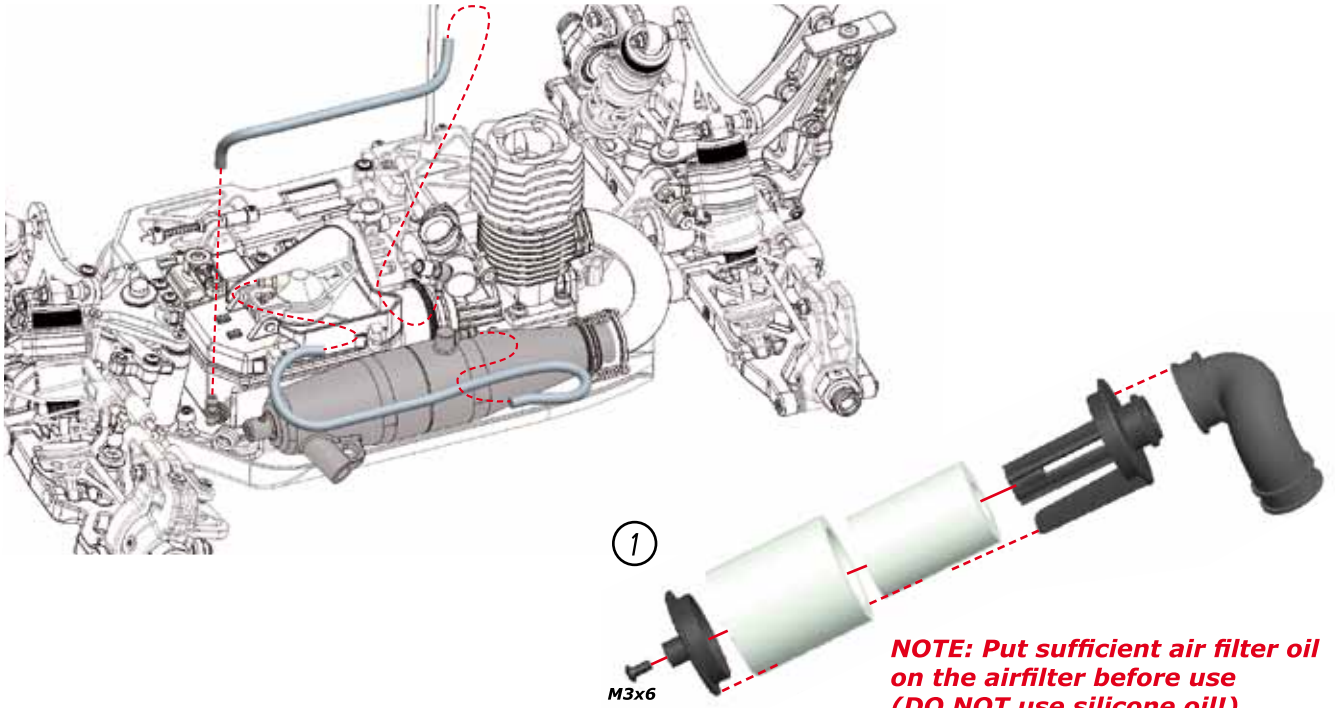
# FINAL ASSEMBLY

1



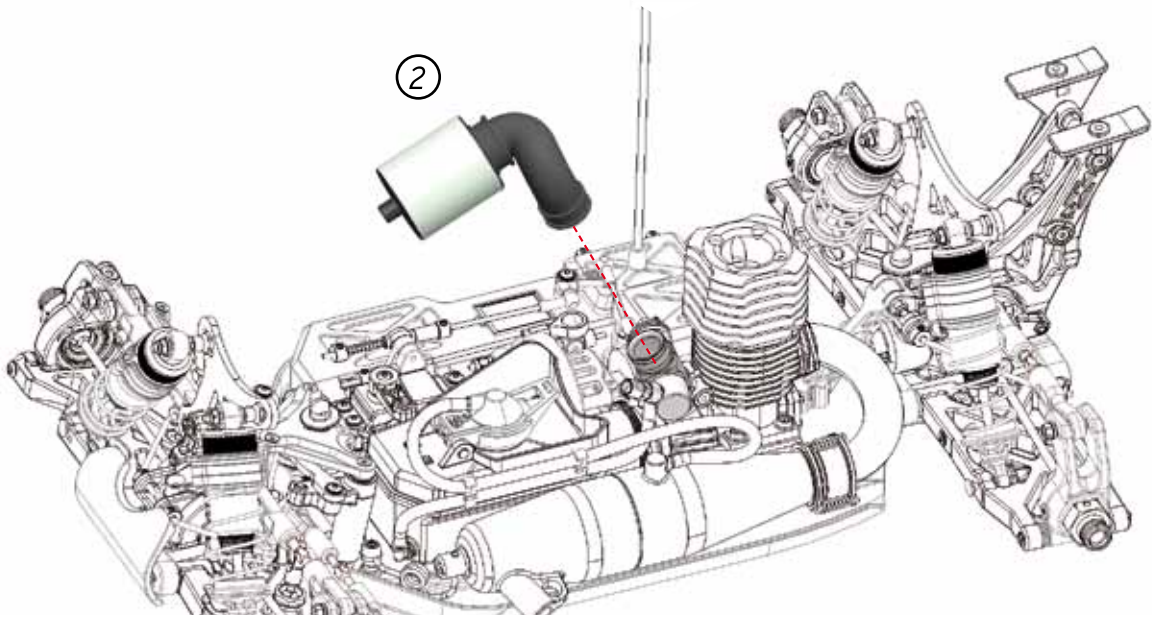
E

2

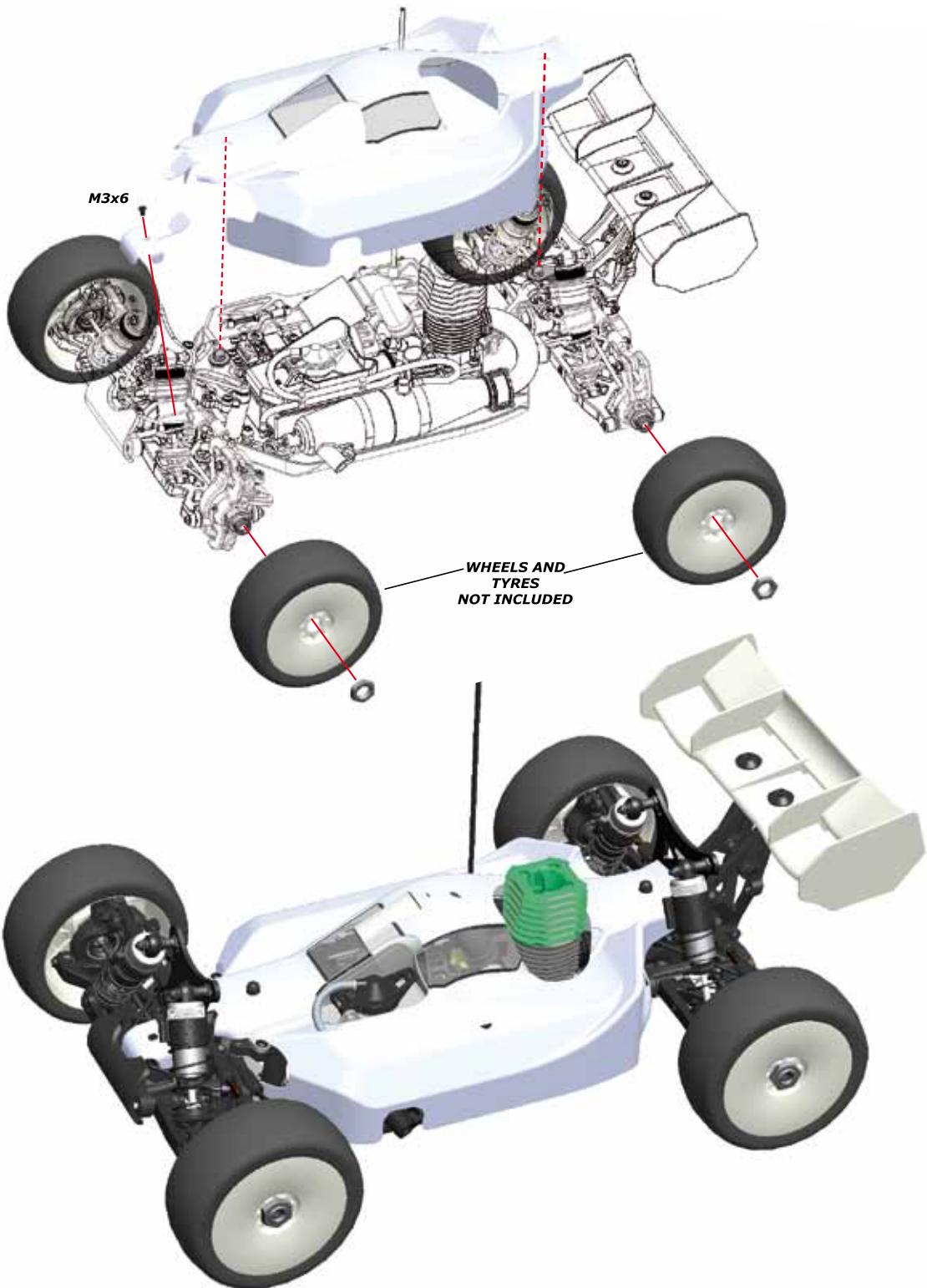
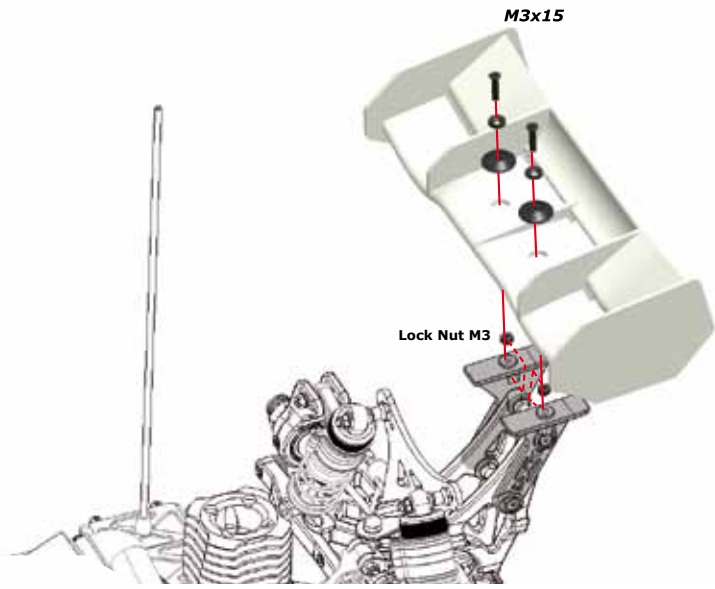


E

3









## REFERENCE GUIDE AND EXPLODED VIEWS

600002 Serpent 811 Cobra Buggy- Sport

### Manual & Decals

600329 Decal sheet S811 black/white (2)

600332 Decal sheet S811 chrome (2)

### Ball Bearings

1311 Ballbearing 5x8x2 (2)

1312 Ballbearing 5x8 flanged SS (2)

1315 Ballbearing 5x10x4 SS (2)

1321 Ballbearing 6x10x3 SS (2)

1337 Ballbearing 15x21x4 SS (2)

1393 Ballbearing 13X19X4 SS (2)

1394 Ballbearing 8x14x4 flanged SS (2)

1395 Ballbearing 8x19x6 SS (2)

1396 Ballbearing 8x16x5 SS (2)

600322 Bearingset S811 (32)

600435 Bearingset small S811 (14)

### Radio Installation / Battery

1606 Antenna rod black (2)

1639 Collar alu + setscrew (4)

600121 Brake levers / adjusters

600127 Throttle / steering lever set

600131 Balljoint set (19)

600157 Collar double (2)

600207 Rod steering servo 26mm

600333 Brake / Throttle links (2)

600358 Radiobox V2 (3)

600359 Servo lever / mounts V2 (30)

600360 Throttle lever shaft (1)

600361 Throttle balls (2+1)

600362 Collar set V2 (3)

600363 Throttle rod V2 (1)

600500 Servo spacers (8)

804181 Throttle spring (2)

### Radio Installation / Battery option

600272 Steering servo rod titanium

600290 Servo lever steering 23T alu

600291 Servo lever steering 24T alu

600292 Servo lever steering 25T alu

600293 Servo lever throttle 23T alu

600294 Servo lever throttle 24T alu

600295 Servo lever throttle 25T alu

### Servo Saver & Steering

600105 Servosaver spring

600109 O-ring servosaver nut (4)

600128 Servo saver set nylon (3)

600131 Balljoint set (19)

600167 Steeringrack mount

600169 Servosaver adjust nut

600170 Servosaver shaft outer

600207 Rod steering servo 26mm

600554 Pivot ball steering short 811-S (2)

600555 Pivot ball steering long 811-S (4)

600556 Servo saver post 811-S (2)

600557 Steeringrack alu 811-S

600558 Topdeck front 811-S

### Servo Saver & Steering option

600153 Topdeck front carbon

600171 Steeringrack option 1

600172 Steeringrack option 2

600173 Steeringrack option 3

600272 Steering servo rod titanium

600278 Servo saver post alu (2)

600296 Servosaver alu coated (3)

600330 Servo saver spring hard

### Fuel tank and parts

1493 Prussure nipple m3 (4)

1494 Silicone tubing 2x5x50 white

600115 Tank mounting rubber (4)

600116 O-ring tank (4)

600117 Tank cap seal silicone (2)

600123 Clip /plug set for fuel tube (6)

600142 Tank 125cc with filter

600335 Post fuel tank (2)

### Shock Absorbers

600111 Shock membrane (10)

600112 O-ring shock bottom (10)

600113 O-ring shock nut (10)

600118 Shock part frame nylon (10)

600145 Shock pistons (4x4)

600180 Washer shock shaft (4)

600184 Pivotball 6.75 double (4)

600194 Shockshaft FR (2)

600195 Shockshaft RR (2)

600234 Shock cartridge stepped (4)

600235 Shock cartridge (4)

600319 Shock revision set (20)

600568 Shock mount 811-S (2)

600570 Shock set FR 811-S (2)

600571 Shock set RR 811-S (2)

600572 Shock spacers 811-S (14)

600573 Shock top 811-S (2)

600574 Shock top nut 811-S (2)

600575 Shock body FR 811-S (2)

600576 Shock body RR 811-S (2)

600577 Shock shim 811-S (10)

### Shock Absorbers option

600317 Shockset fr (2)

600318 Shockset rr (2)

600357 Membrane webbed silicone (4)

600287 Shock spring support alu (4)

600306 Shock shaft FR TiN coating (2)

600307 Shock shaft RR TiN coating (2)

### Shock Springs

600245 Spring set FR pink 4.8lbs (2)

600246 Spring set FR blue 5.0lbs (2)

600247 Spring set FR purple 5.2lbs (2)

600248 Spring set FR green 5.4lbs (2)

600249 Spring set FR grey 5.6lbs (2)

600250 Spring set FR yellow 5.8lbs (2)

600251 Spring set FR white 6.0lbs (2)

600252 Spring set RR pink 2.8lbs (2)

600253 Spring set RR blue 3.0lbs (2)

600254 Spring set RR purple 3.2lbs (2)

600255 Spring set RR green 3.4lbs (2)

600256 Spring set RR grey 3.6lbs (2)

600257 Spring set RR yellow 3.8lbs (2)

- 600258 Spring set RR white 4,0lbs (2)
- 600259 Spring set FR (7x2)
- 600260 Spring set RR (7x2)

**Chassis / Guards**

- 600122 Brace front / rear nylon
- 600139 Sideguard L+R
- 600141 Bumper
- 600529 Chassis alu 811-S

**Chassis / Guards Optional**

- 600140 Mudguard L+R
- 600288 Chassis brace front alu
- 600289 Chassis brace rear alu
- 600469 Chassis S811 hard anodized

**Front Section**

- 600124 Bodymount FR+RR
- 600126 Washer/nut nylon M3 (12+15)
- 600129 Diff case front set
- 600131 Balljoint set (19)
- 600135 Wishbone front L+R
- 600136 C-Hub 10 L+R
- 600167 Steering rack mount
- 600183 Bushing suspension arm (4)
- 600193 Pivotball threaded antirollbar (2)
- 600197 Driveshaft insert (2)
- 600222 Wheelnut 17mm (4)
- 600223 Wheelhexagon (4)
- 600240 Antiroll bar front 2.3mm
- 600365 Spacers 1.25mm + 2.5mm wheelbase (4+2)
- 600481 Steeringblock L+R V2
- 600503 Steeringblock-wheelaxle set 811 V2
- 600530 Shocktower front alu 811-S
- 600532 Gear coupler 811-S
- 600533 Driveshaft center FR 811-S
- 600535 Driveshaft FR 811-S (2)
- 600537 Wheelaxle FR 811-S (2)
- 600539 Pin steeringblock 811-S (4)
- 600540 Track rod FR 811-S (2)
- 600542 Track rod steering 811-S (2)
- 600543 Hinge pin 811-S (2)
- 600544 Antirollbar nut 811-S (4)
- 600545 Antirollbar bushing 811-S (4)
- 600546 Pivot ball antiroll bar 811-S (2)
- 600548 Suspension bracket FR-FR 811-S
- 600549 Suspension bracket FR-RR 811-S
- 600553 Pivot ball 7.5 double 811-S (4)
- 600554 Pivot ball steering short 811-S (2)
- 600558 Topdeck front 811-S
- 903343 Antirollbar Spacer 3mm (2)

**Front Section Optional**

- 600151 Shocktower front carbon
- 600153 Topdeck front carbon
- 600176 Suspension bracket alu FR RR std
- 600177 Suspension bracket alu FR FR std
- 600241 Antiroll bar front 2.5mm
- 600242 Antiroll bar front 2.7mm
- 600263 Washer M3 alu (12)
- 600284 Shocktower FR alu light
- 600297 Lightweight wheel nut 17mm (4)
- 600303 C-hub 10 L+R alu
- 600304 C-hub 12 L+R alu
- 600336 Antiroll bar front 1.8mm
- 600337 Antiroll bar front 2.0mm
- 600497 Steeringblock L+R V2 alu

**Middle Section**

- 600100 Exhaust mounting wire (2)
- 600119 Center diff holder parts (3)
- 600131 Balljoint set (19)
- 600166 Exhaust mount alu
- 600197 Driveshaft insert (2)
- 600198 Spurgear 46T

- 600203 Brake plate (4)
- 600236 Airfilter boot
- 600243 Airfilter + foam
- 600340 Airfilter foam set inner-outer (6)
- 600341 Airfilter foam set inner-outer (10)
- 600369 Brake plate thick (2)
- 600524 Brake disk 811-S (2)
- 600525 Brake lever insert 811-S (2)
- 600526 Brake piston 811-S (2)
- 600527 Brake excenter 811-S (2)
- 600528 Brake plate mount set 811-S (2)
- 600532 Gear coupler 811-S
- 600559 Spur gear 46T 811-S
- 600569 Engine mount 811-S (2)

**Middle Section Option**

- 600148 Diskbrake front fibreglass
- 600149 Diskbrake rear fibreglass
- 600198 Spurgear 46T
- 600279 Spurgear 44T
- 600280 Spurgear 48T
- 600281 Brake piston /spring ( 2/2/2)
- 600286 Center diff holder alu (2)
- 600299 Engine monomount-set alu
- 600342 Mono enginemount top (2)
- 600345 Brake set pro

**Rear Section**

- 600124 Bodymount FR+RR
- 600126 Washer/nut nylon M3 (12+15)
- 600130 Diff case rear set
- 600131 Balljoint set (19)
- 600133 Wing mount set
- 600134 Wishbone rear L+R
- 600193 Pivotball threaded antirollbar (2)
- 600222 Wheelnut 17mm (4)
- 600223 Wheelhexagon (4)
- 600237 Antiroll bar rear 2.3mm
- 600365 Spacers 1,25mm + 2,5mm for wheelbase (4+2)
- 600365 Spacers 1.25mm + 2.5mm wheelbase (4+2)
- 600143 Wing white nylon
- 600476 Upright L+R V2
- 600499 Pivotball double straight (3)
- 600502 Upright set V2 811
- 600531 Shocktower rear alu 811-S
- 600534 Driveshaft center RR 811-S
- 600536 Driveshaft RR 811-S (2)
- 600538 Wheelaxle RR 811-S (2)
- 600541 Track rod RR 811-S (2)
- 600543 Hinge pin 811-S (2)
- 600544 Antirollbar nut 811-S (4)
- 600545 Antirollbar bushing 811-S (4)
- 600546 Pivot ball antiroll bar 811-S (2)
- 600547 Hinge pin RR outer 811-S (2)
- 600550 Suspension bracket RR-FR 811-S
- 600551 Suspension bracket RR-RR 811-S
- 600552 Transmission brace mount RR 811-S
- 600553 Pivot ball 7.5 double 811-S (4)
- 903343 Antirollbar Spacer 3mm (2)

**Rear Section option**

- 600152 Shocktower rear carbon
- 600155 Suspension bracket RR RR 3
- 600156 Suspension bracket RR FR 2
- 600238 Antiroll bar rear 2.5mm
- 600239 Antiroll bar rear 2.7mm
- 600263 Washer M3 alu (12)
- 600265 Suspension bracket RR FR 2.5 - 4.5
- 600266 Suspension bracket RR RR HR 3
- 600267 Suspension bracket RR RR LR 3
- 600277 Wing black nylon
- 600285 Shocktower RR alu light
- 600297 Lightweight wheel nut 17mm (4)
- 600300 Post wingmount alu (2)
- 600301 Wing washer alu (2)

600338 Antiroll bar rear 1.8mm  
 600339 Antiroll bar rear 2.0mm  
 600434 Antiroll bar rear 2.4mm  
 600439 Wing white low 811  
 600496 Upright L+R V2 alu

**Differential**

110431 Shim 8x11x0.2 (10)  
 600147 Diff gasket (3)  
 600205 Shim 13x16x0.2 (10)  
 600209 Diff pin 10T (2)  
 600210 Diff pin outdrive (2)  
 600212 Shim 14x15.5x0.65 (10)  
 600213 Shim 6x11.75x0.2 (10)  
 600214 Shim 3.5x12x0.2 (10)  
 600215 Shim 8x11x0.2 (10)  
 600354 Shim 14x15.5x 0.65 (4)  
 600356 Shim 14x15.5x0.2 (10)  
 600421 Oring centerdiff V2 (10)  
 600425 Diff housing V2  
 600514 Diff pinion 10T 811 V3  
 600559 Spur gear 46T 811-S  
 600560 Diff gear 43T 811-S  
 600561 Diff outdrive center 811-S (2)  
 600562 Diff outdrive FR-RR 811-S (2)  
 600627 Diff gear 10T + 20T (4+2) V2

**Differential Optional**

600501 Complete FR/RR 44T diff

**Clutch**

600206 Clutch nut (2)  
 600218 Clutch bell 15T  
 600261 Socket screw M3x8 (6)  
 600563 Flywheel 3 pin 811-S  
 600564 Clutch shoe carbon 811-S (3)  
 600565 Clutch spring 0.9mm 811-S (3)  
 600566 Clutch nut 3 pin 811-S  
 600567 Clutch set 811-S  
 909519 shim centax 5x08x0.1(2)x0.3(1)  
 909519 shim centax 5x8x0.1(2)x0.3(1)

**Clutch Optional**

600163 Flywheel alu  
 600175 Clutchshoe alu (4)  
 600216 Clutch bell 13T  
 600217 Clutch bell 14T  
 600219 Clutch bell 16T  
 600220 Clutch bell 17T  
 600229 Clutch spring soft (4)  
 600231 Clutch spring hard (4)  
 600232 Clutch spring X hard (4)  
 600233 Clutch spring set (4x4)  
 600244 Clutch-set alu / carbon  
 600298 Flywheel steel  
 600355 Clutch shoe set Alu / Carbon (2+2)

**Body**

1667 Body-clip medium (10)  
 600146 Body S811 Cobra + nose-cone  
 600439 Wing white low 811  
 Body Optional  
 600277 Wing black nylon  
 600439 Wing white low 811  
 600440 Wing black low 811  
 600523 Body Cobra Buggy 2.0

**Fastners**

110100 Screw allen countersunk m3x10 (10)  
 110101 Screw allen countersunk m4x8 (10)  
 110102 Screw allen countersunk m4x10 (10)  
 110103 Screw allen countersunk m4x16 (10)  
 110104 Screw allen countersunk M3x8 (10)

110105 Screw allen countersunk m4x12 (10)  
 110106 Screw allen flanged roundhead m5x12 (10)  
 110107 Screw allen cilinderhead m3x16 (10)  
 110108 Screw allen roundhead m3x6 (10)  
 110109 Screw allen roundhead m3x10 (10)  
 110110 Screw allen roundhead m3x16 (10)  
 110111 Screw allen roundhead m3x14 (10)  
 110112 Screw allen roundhead m3x12 (10)  
 110113 Screw allen roundhead m4x8 (10)  
 110114 Setscrew allen m3x8 (10)  
 110115 Setscrew allen m3x4 (10)  
 110116 Setscrew allen m3x3 (10)  
 110117 Setscrew allen m3x12 (10)  
 110118 Setscrew allen m4x4 (10)  
 110119 Setscrew allen m4x6 (10)  
 110120 Setscrew allen m4x10 (10)  
 110121 Setscrew allen m5x6 (10)  
 110122 Screw allen countersunk m3x6 (10)  
 110123 Screw philips roundhead 3.5x13 (10)  
 110124 Screw allen countersunk m3x8 (10)  
 110125 Screw allen countersunk m3x20 (10)  
 110126 Screw allen countersunk m2.5x12 (10)  
 110127 Screw allen countersunk m3x12 (10)  
 110128 Screw allen roundhead m3x5 (10)  
 110129 Screw allen cilinderhead m3x10 (10)  
 110130 Screw allen roundhead m2.5x6 (10)  
 110131 Screw allen roundhead m2.5x10 (10)  
 110132 Screw allen countersunk m3x16 (10)  
 110133 Screw philipshead countersunk 2.5x8 wide (10)  
 110134 Screw philipshead countersunk 2.5x10 wide (10)  
 110135 Screw allen countersunk M2.5x10 (10)  
 110136 Screw allen countersunk M2.5x8 (10)  
 110137 Setscrew allen M3x6 (10)  
 110138 Screw allen countersunk M4x14 (10)  
 110139 Screw allen countersunk M3x40 (10)  
 110140 Screw allen roundhead M3x20 (10)  
 110141 Screw allen roundhead M3x22 (10)  
 110142 Screw allen roundhead M3x25 (10)  
 110143 Screw allen roundhead M4x18 (10)  
 110144 Screw allen roundhead M3x18 (10)  
 110145 Screw allen roundhead flanged M3x12 (10)  
 110146 Screw allen roundhead flanged M3x16 (10)  
 110147 Screw ph roundhead widethread 2.5x5 (10)  
 110148 Setscrew allen M5x4 (10)  
 110149 Screw allen countersink M2x10 (10)  
 110150 Screw M6x12 nylon black (2)  
 110151 Screw allen cilinderhead M4x10 (10)  
 110152 Screw allen cilinderhead M3x8 (10)  
 110153 Screw allen roundhead M2.3x6 (10)  
 110154 Setscrew allen M3x10 (10)  
 110155 Setscrew allen M3x5 (10)  
 110156 Screw allen countersunk M2.2x6 (10)  
 110157 Screw allen countersunk M3x5 (10)  
 110158 Screw allen countersunk M3x15 (10)  
 110159 Screw allen countersunk M3x18 (10)  
 110160 Screw allen cilinderhead M2.2x12 (10)  
 110161 Screw allen cilinderhead M2x6 (10)  
 110162 Setscrew allen M3x2.5 (10)  
 110163 Setscrew allen M3x2 (10)  
 110164 Screw allen roundhead M3x4 (10)  
 110165 Screw allen cilinderhead M2x5 (10)  
 110166 Screw allen countersunk M2.5x5 (10)  
 110167 Screw allen roundhead flanged M3x18 (10)  
 110168 Screw allen roundhead flanged M3,5x10 (10)  
 110169 Screw allen roundhead flanged M4x10 (10)  
 110170 Screw allen roundhead flanged M3x28 (10)  
 110171 Screw ph countersunk widethread 2.5x15 (10)  
 110200 Pin 2.5x8 (10)  
 110201 Pin 3x12 (10)  
 110202 Pin 5x5 (10)  
 110203 Pin 3x14 (10)  
 110204 Pin 3x20 (10)

110205	Pin 3x22 (10)	1883	Banner Serpent S-logo 200x100 nylon
110206	Pin 2.5x22 (10)	190110	Sweater hooded serpent black (s)
110207	Pin 2.5x12 (10)	190111	Sweater hooded serpent black (m)
110208	Pin nra 2x9.8 (4)	190112	Sweater hooded serpent black (l)
110209	Pin nra 2x18 (4)	190113	Sweater hooded serpent black (xl)
110210	Pin 3x13 (10)	190114	Sweater hooded serpent black (xxl)
110211	Pin 2.5x13 (10)	190116	T-shirt lady black Serpent (S)
110212	Pin 2.5x17 (10)	190117	T-shirt lady black Serpent (M)
110213	Pin 2.5x10 (10)	190118	T-shirt lady black Serpent (L)
110214	Pin 3x15 (10)	190119	T-shirt lady black Serpent (xL)
110215	Pin 2x12 (10)	190121	T-shirt Serpent LTS white (S)
110216	Pin 2.5x15 (10)	190122	T-shirt Serpent LTS white (M)
110217	Pin 2x9 (10)	190123	T-shirt Serpent LTS white (L)
110218	Pin 3x10 (10)	190124	T-shirt Serpent LTS white (xL)
110300	E-clip 2.3 (10)	190125	T-shirt Serpent LTS white (xxL)
110301	E-clip 3.2 (10)	190127	T-shirt Serpent DTR orange (S)
110302	E-clip 4.0 (10)	190128	T-shirt Serpent DTR orange (M)
110303	E-clip 5.0 (10)	190129	T-shirt Serpent DTR orange (L)
110304	E-clip 7.0 (10)	190130	T-shirt Serpent DTR orange (xL)
110305	Seeger clip 12x1.0 (10)	190131	T-shirt Serpent DTR orange (xxL)
110306	E-clip 6.0 (10)	190132	T-shirt Serpent DTR black (S)
110400	Shim 6.0x10x0.2 (10)	190133	T-shirt Serpent DTR black (M)
110401	Shim 3.2x7x0.5 (10)	190134	T-shirt Serpent DTR black (L)
110402	Nut nylock M3 (10)	190135	T-shirt Serpent DTR black (xL)
110403	Nut nylock M4 (10)	190136	T-shirt Serpent DTR black (xxL)
110404	Shim 6x8x0.3 (10)	190137	T-shirt Serpent offroad orange (S)
110405	Nut nylock M4 flanged (10)	190138	T-shirt Serpent offroad orange (M)
110406	Nut nylock M2.2 (10)	190139	T-shirt Serpent offroad orange (L)
110407	Nut M3 (10)	190140	T-shirt Serpent offroad orange (XL)
110408	Shim 3x5x0.3 (10)	190141	T-shirt Serpent offroad orange (XXL)
110409	Shim 3x5x1 (10)	190142	T-shirt Serpent offroad black (S)
110410	Shim 3x5x2 (10)	190143	T-shirt Serpent offroad black (M)
110411	Shim 3x5x4 (10)	190144	T-shirt Serpent offroad black (L)
110412	Shim 3.5x8x1 (10)	190145	T-shirt Serpent offroad black (XL)
110413	Shim 3.5x12x0.2 (10)	190146	T-shirt Serpent offroad black (XXL)
110414	Shim 3x6x0.1 (10)	190150	Dress shirt Serpent black-orange (S)
110415	Shim 3x6x0.5 (10)	190151	Dress shirt Serpent black-orange (M)
110416	Shim 3x6x0.8 (10)	190152	Dress shirt Serpent black-orange (L)
110417	Shim 3x6x3 (10)	190153	Dress shirt Serpent black-orange (XL)
110418	Shim 4x8x0.1 (10)	190154	Dress shirt Serpent black-orange (XXL)
110419	Shim 4x9.5x1 (10)	190155	Dress shirt Serpent black-orange (XXXL)
110420	Shim 4x9.5x2(10)	190156	Polo shirt Serpent black-orange (S)
110421	Shim 4x9.5x4(10)	190157	Polo shirt Serpent black-orange (M)
110422	Shim 4x10x0.3 (10)	190158	Polo shirt Serpent black-orange (L)
110423	Shim 5x8x0.1 (10)	190159	Polo shirt Serpent black-orange (XL)
110424	Shim 5x8x0.3 (10)	190160	Polo shirt Serpent black-orange (XXL)
110425	Shim 5x10x0.3 (10)	190161	Polo shirt Serpent black-orange (XXXL)
110426	Shim 5x10x0.5 (10)	190162	T-shirt Serpent offroad white (S)
110427	Shim 5x15x0.3 (10)	190163	T-shirt Serpent offroad white (M)
110428	Shim 6.5x8x0.25 (10)	190164	T-shirt Serpent offroad white (L)
110429	Shim 6x11.75x0.2 (10)	190165	T-shirt Serpent offroad white (XL)
110430	Shim 6x12x0.5 (10)	190166	T-shirt Serpent offroad white (XXL)
110431	Shim 8x11x0.1 (10)	190167	T-shirt Serpent LTS black (S)
110432	Shim 8x11x0.2 (10)	190168	T-shirt Serpent LTS black (M)
110433	Shim 12x15x0.25 (10)	190169	T-shirt Serpent LTS black (L)
110434	Shim 12x18x0.3 (10)	190170	T-shirt Serpent LTS black (xL)
110435	Shim 13x16x0.2 (10)	190171	T-shirt Serpent LTS black (xxL)
110436	Shim 3x5x3 (10)	190172	Winter jacket Serpent (S)
110437	Nut M2.5 (10)	190173	Winter jacket Serpent (M)
110438	Shim 2,5x6x0,5 (10)	190174	Winter jacket Serpent (L)
110439	Shim 3x7,5x1 (10)	190175	Winter jacket Serpent (xL)
110440	Shim 2,5x5x0,4 (10)	190176	Winter jacket Serpent (xxL)
110441	Nut nylock M3 flanged (10)	190177	T-shirt Serpent LTS orange (S)
110442	Shim 4x8x0.6 (10)	190178	T-shirt Serpent LTS orange (M)
		190179	T-shirt Serpent LTS orange (L)
		190180	T-shirt Serpent LTS orange (xL)
		190181	T-shirt Serpent LTS orange (xxL)

#### MERCHANDISING

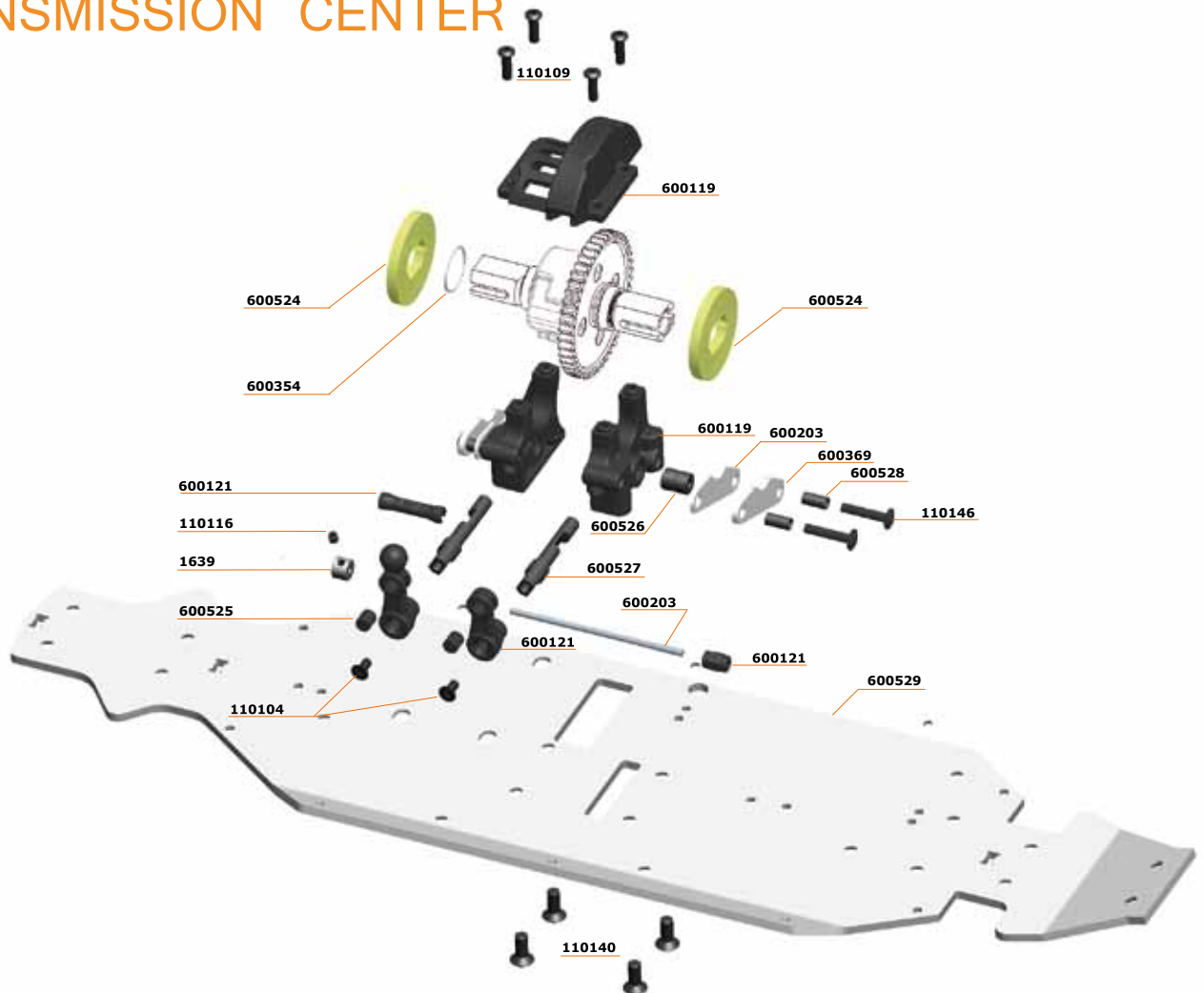
1891	Serpent medium promo decal 20x12.5 (2)
1893	Serpent decal xL (30x60cm)
1998	Cap serpent black-orange
1869	Pit-towel serpent orange 140x60cm
1872	Rucksack serpent (35x45cm) black
1873	Rucksack serpent (48x61cm) black

All rights reserved. Parts may change without prior notice.

# DIFFERENTIAL ASSEMBLIES



# TRANSMISSION CENTER

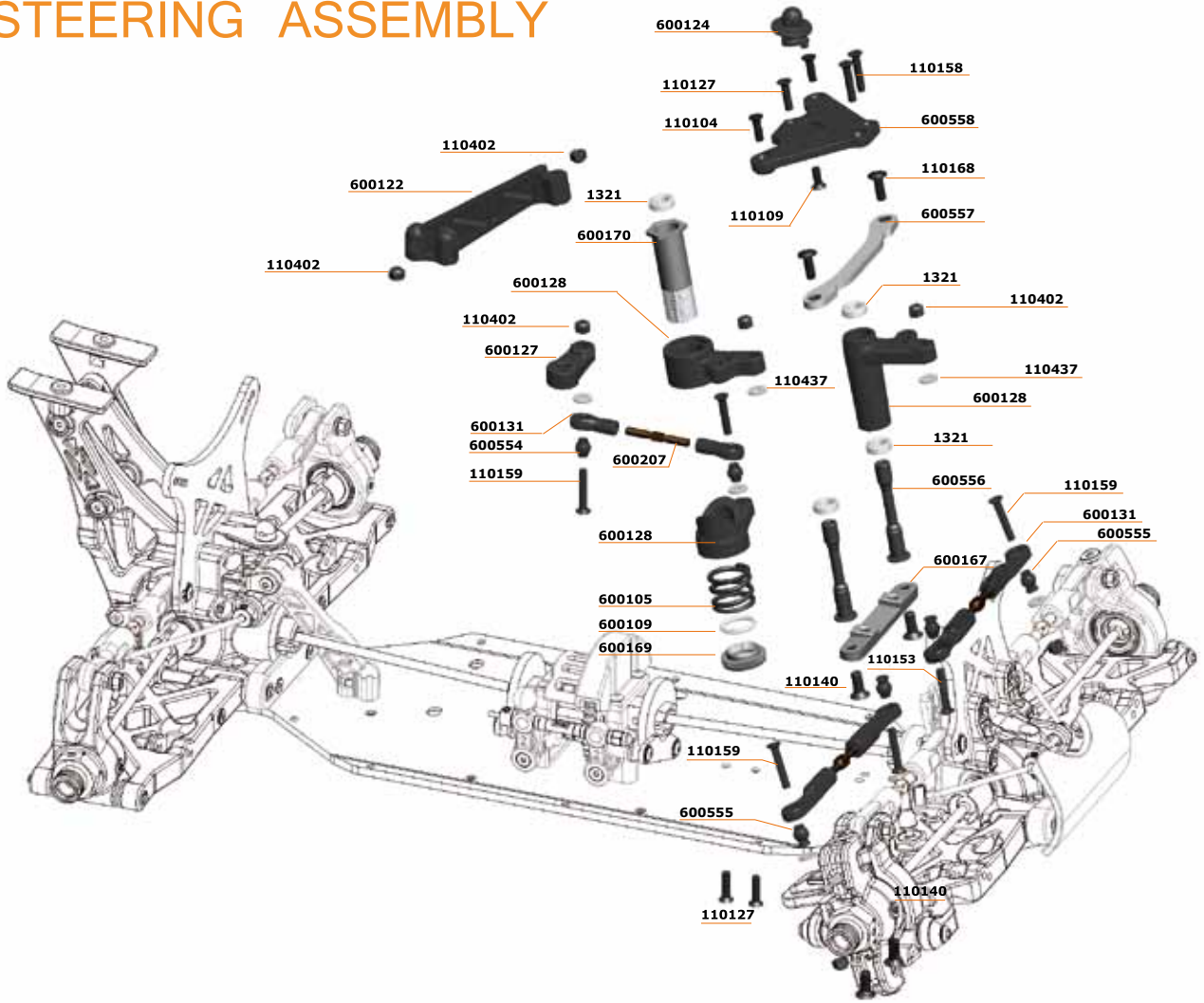




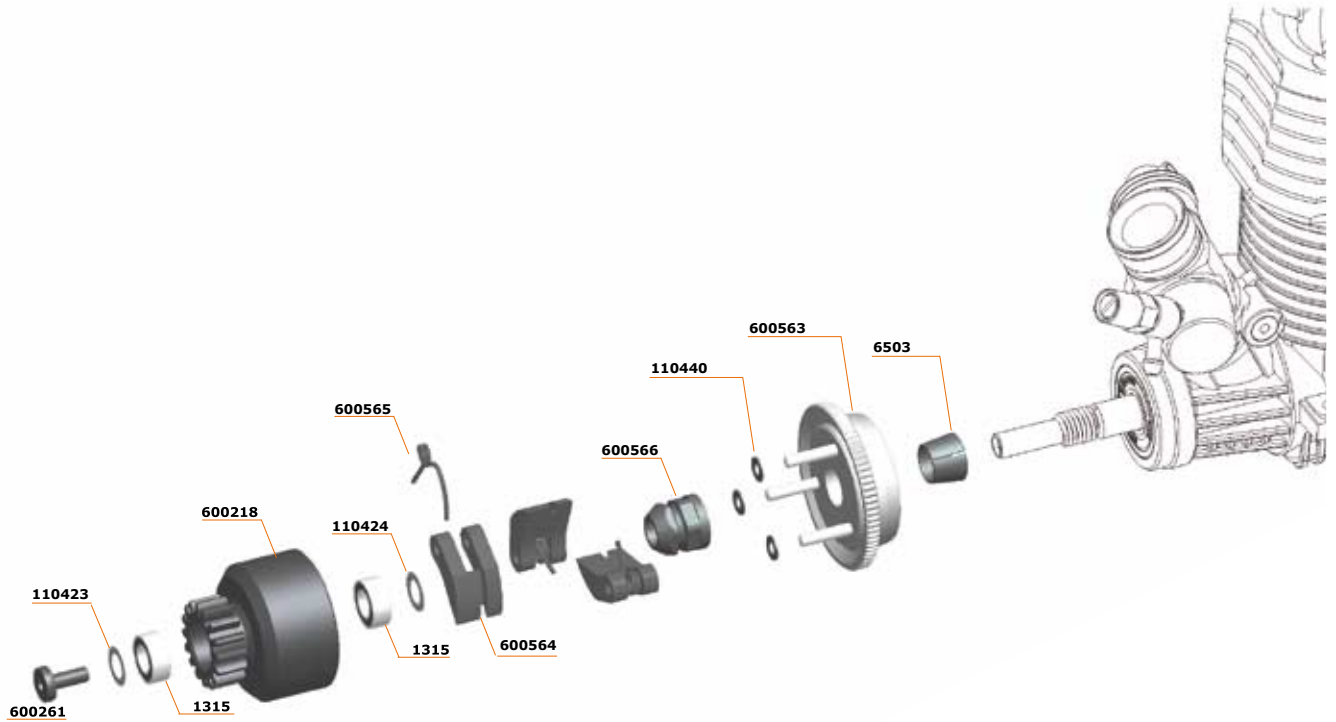




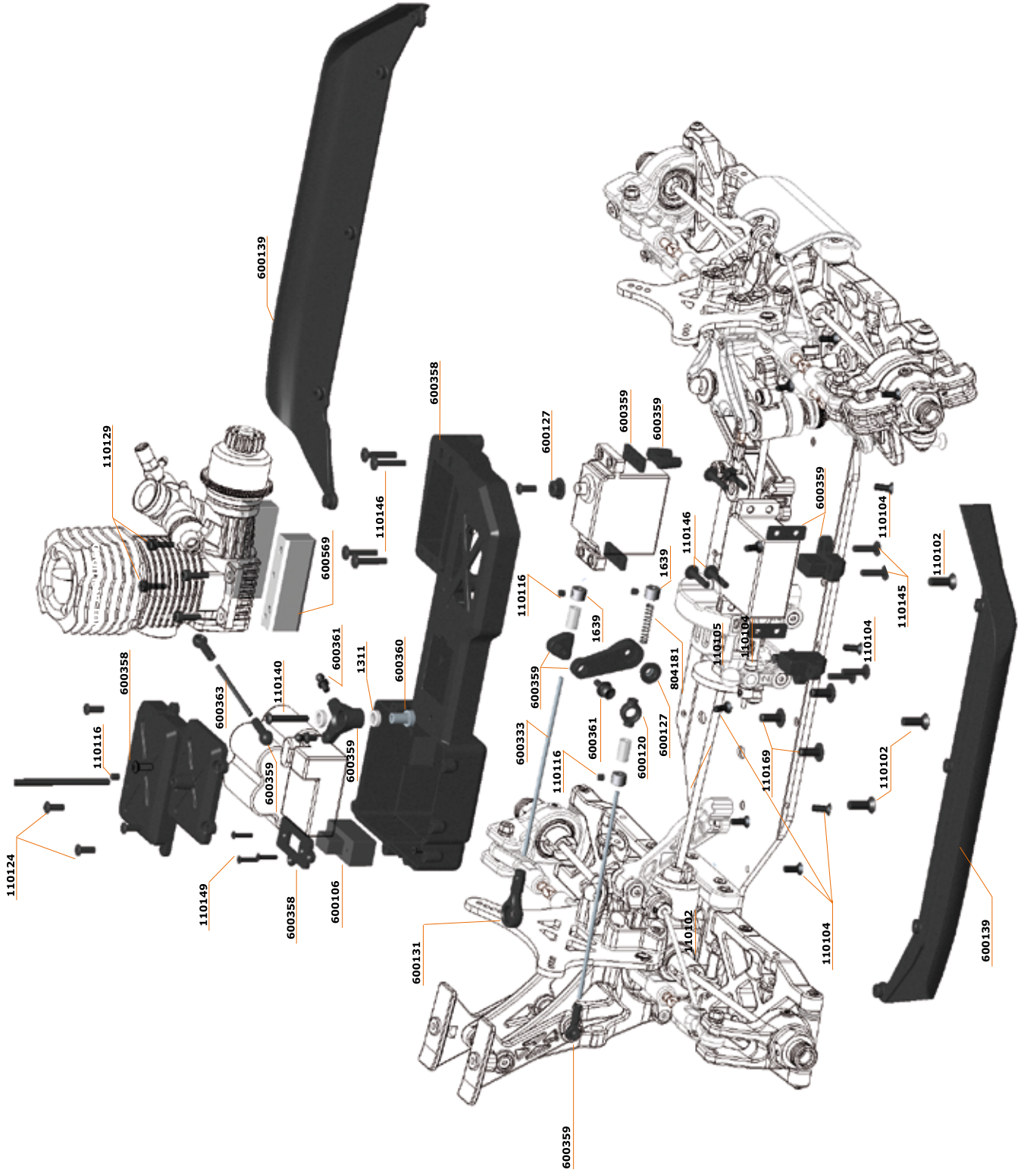
# STEERING ASSEMBLY



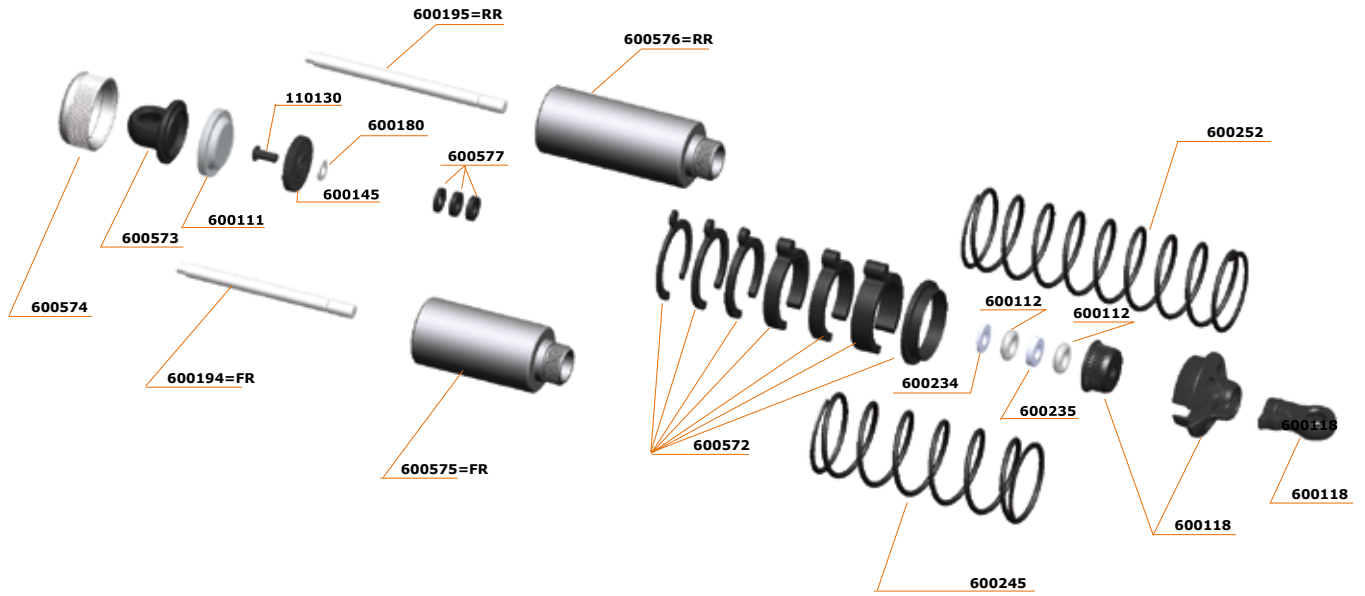
# CLUTCH ASSEMBLY



600567 CLUTCH SET S811S

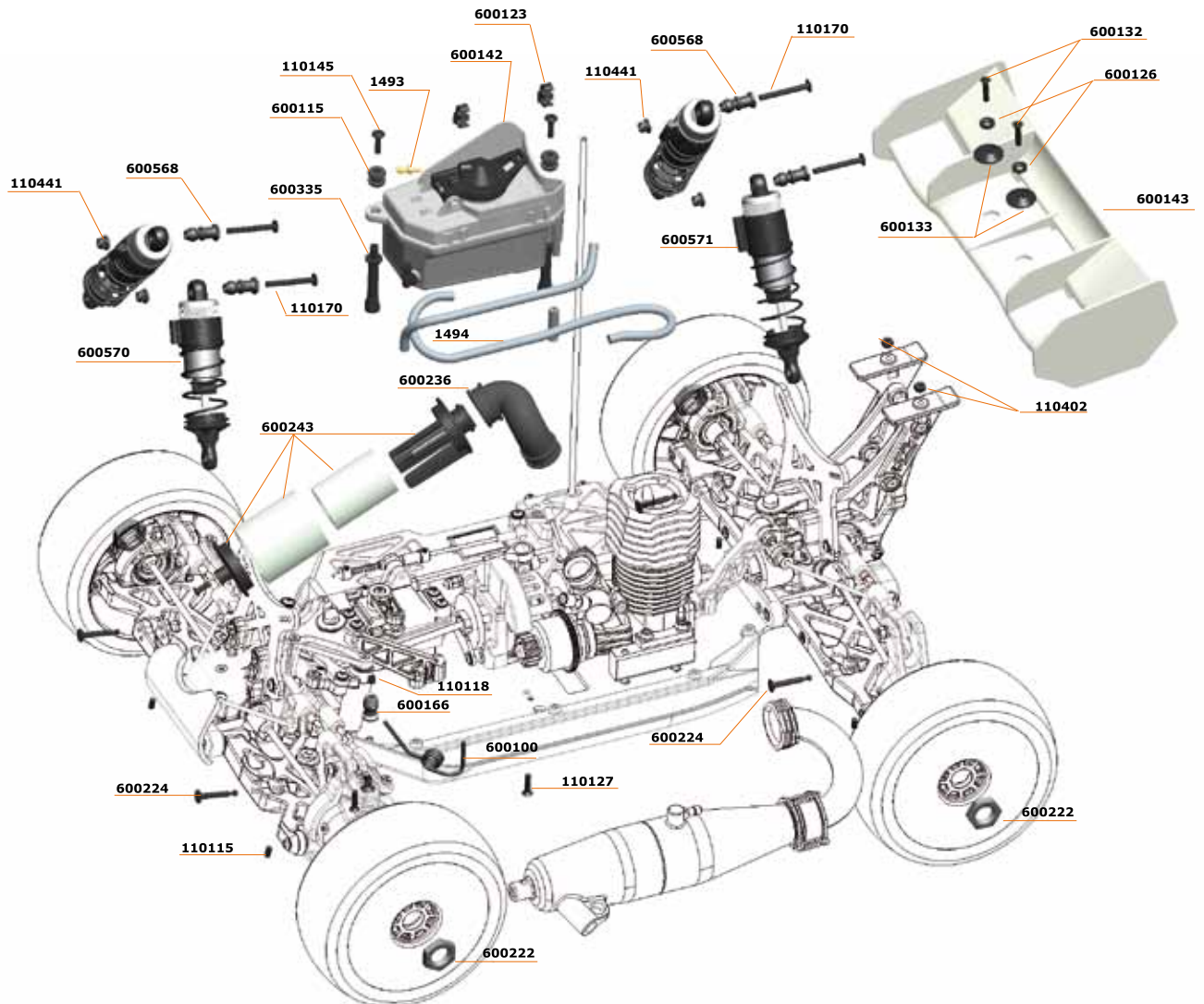


# SHOCK ASSEMBLY



600570: SCHOCK SET FR  
600571: SCHOCK SET RR

# FINAL ASSEMBLY



**COBB** **811** **Sport**



[www.serpent.com](http://www.serpent.com)  
[info@serpent.com](mailto:info@serpent.com)

